

MUNDIAL

INDUSTRIAL PLUGS AND SOCKETS

Description: IP44 MULTIPLE RUBBER SOCKET 2P+E 230V 16A. 1 PLUG 3 SOCKET

Reference:
00140

Characteristics:

Product type:	Multiple socket
Current:	16A
Poles:	2P+E
Voltage:	230 V
Frecuency(Hz):	-
Time code:	-
Colour:	Blue
Weight (kg):	0,51
Dimensions:	
Materials:	Halogen-free plastic materials. Plastic parts: polyamide 6. Contacts: copper-zinc alloy
Packaging units:	1

Technical data:

Degree of protection:	IP44
Degree of protection remarks:	Sealing gasket included
Resistance to impact:	IK08
Glow wire resistance:	960 °C
Ball pressure test:	125 °C
Ambient temperature range:	-25 °C / +40 °C

Certifications and norms:

Directive:	2014/35/EU
Standards:	IEC 60884-1
Certificates:	



Codes:

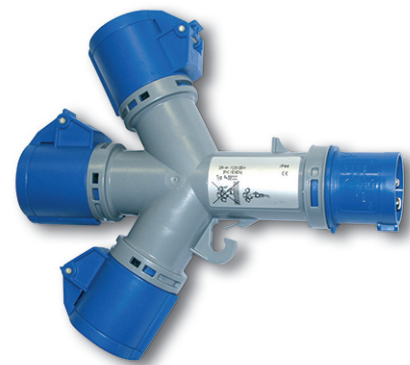
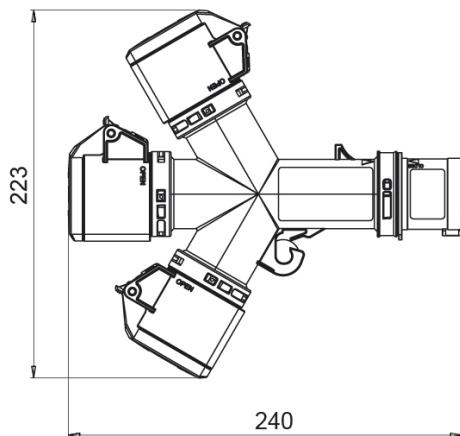
EAN:	8431044191386
Customs tariff number:	85.36.69.90
ETIM 8.0:	EC004118

MUNDIAL

INDUSTRIAL PLUGS AND SOCKETS

Description: IP44 MULTIPLE RUBBER SOCKET 2P+E 230V 16A. 1 PLUG 3 SOCKET

Reference: 00140



Dimensions:

I	Poles	Dimensions	
		LENGTH	HEIGHT
16 A	2P+E	240	223

Sustainability:

RoHS - REACH

Product end of life stage:

Product concerned in the WEEE regulations.

Supply:

Supplied in a single box per packaging multiple