



**CONNECT AND PROTECT**

# Locking System

White paper

  
nvent

**HOFFMAN**

# Table of contents

- Introduction ..... 4
- Easy Integration ..... 4
- Benefits ..... 4
- Floor standing | Mild steel..... 5
- Floor standing | Stainless steel..... 10
- Floor standing | Aluminum ..... 15
- Wall mounted | Mild steel..... 17
- Wall mounted | Stainless steel..... 23
- Wall mounted | Polyester compact..... 28
- Wall mounted | Polyester modular ..... 34
- Wall mounted | Aluminium glazed doors..... 36
- Wall mounted | Padlocking ..... 38
- Alternative keys..... 39

Whitepaper

# LOCKING SYSTEM

## Preface

In terms of metal cabinets, enclosures and panels, most locking devices evolved from domestic/architectural designs or were based on products developed for the motor industry. It was only with the advent of CNC technology that panel builders would start to benefit from modular approach to design and produce locks specifically for the enclosures industry.

The advent of CNC technology prompted a major change in the way the panel and the enclosures were produced and allowed the manufactures to design and mass-produce cabinets that would accept the new breed of modular, interchangeable access hardware that had recently become available to panel builders. This means that different quarter-turn locks, lever and handle tee could be specified and it would all fit the same, single panel cut-out.

Enclosures are all around us and are a generic term for a lockable industrial box that protect mechanical or electrical equipment.



# Introduction

As a specialist manufacturer of enclosures, our company supplies a wide variety of enclosures for industrial and OEM applications. Our product range is extensive and includes different types of enclosures and many bespoke solutions, in order to meet diverse requirements.

We offer a wide range of locking systems, designed for quick closure, secure in applications where vibration, sealing and quality are essential, designed to suit specific installation requirements and applications.

# Easy Integration

Because of the huge range of available locking options, it is possible that there is a solution for virtually any application. However, following points should be considered:

- Material:
  - Polyamide (PA) – most cost-effective;
  - Zinc die cast – more robust than PA;
  - Stainless Steel – stronger and corrosion resistant;
- IP sealing;
- Compatibility between locks and inserts;
- For right or left use;
- Industrial applications.

# Benefits

These latches deliver affordable simplicity, including quick access with just a quarter-turn, and versatility of multiple body materials.

- Available in multiple sizes in order to provide strength, grip, and appropriate pull-up compression for a large variety of door sizes;
- Numerous head styles providing a wide range of access management security;
- Multiple pawl options and adjustable pawl positioning enabling a single latch model to accommodate a wide variety of grip dimensions;
- Some styles available in locking models for more secure access control;
- Some models available for use in NEMA 4 and IP-65 or IP-66 applications;
- Single-hole mounting, easy to install;
- Models available to accommodate 2- and 3-point compression latching.

# Floor Standing | Mild steel

The locking system is compatible with locking inserts and is equipped with an enhanced security 'click' indicator which makes users aware that the locking system is either fully opened or closed.



## Standard lock cover DB3

The lock comes with red solid covers at the top and bottom. Transparent covers must be ordered separately.

Transparent covers can be removed in order to insert the company name or logo, which then is secured into position by remounting the transparent cover.



For control mechanism



For insert

## LLH500N

### Alternative inserts for standard lock cover

Lock inserts can substitute the standard insert. Inserts have a chrome finish.



LI503

Lock insert, 3 mm double bit



LI505

Lock insert, 5 mm double bit



LI523

Lock insert, 7 mm square



LI524

Lock insert, 8 mm square



LI526

Lock insert, 7 mm triangle



LI527

Lock insert, 8 mm triangle



LI530

Lock insert, Daimler Benz



## Handles

The lift handles are very durable and give high performance for a fairly long period.

They can be used with the corresponding design of door and frame for left or right hinged doors. The locking system can be exchanged quick and easily.

Available handles:



# Floor Standing | Mild steel

## Lift handle compatible with round cylinder



LLH501N

LLH503N

The lifting handles for mild steel enclosures are made in Zamak and use RAL 5013 finishing. The lift handles enhance the smooth motion when opening and closing the enclosure door even further. The lifting handle is available with or without padlocking.



For control mechanism



For Round cylinder



Can be or is equipped with padlock

### Available round cylinder:

The lift handle must be completed with an insert. The insert will be chosen based on the customer requirements from the project.



LHC522

Ronis round prof cyl. Key 21323C



LHC523

Cylinder insert, 7 mm square



LHC524

Cylinder insert, 8 mm square



LHC526

Cylinder insert, 7 mm triangle



LHC527

Cylinder insert, 8 mm triangle



LHC528

Insert DIN 3 mm



LHC529

Insert DIN 5 mm



LHC530

Cylinder insert, Daimler Benz



LHC536

Push button insert

Note: See annex 2.

# Floor Standing | Mild steel

## Lift handle compatible with half cylinder



The lifting handles for mild steel enclosures are made in Zamak and use RAL 5013 finishing. The lift handles enhance the smooth motion when opening and closing the enclosure door even further.

The lifting handle is available with or without padlocking.



For control mechanism



For half cylinder



Can be or is equipped with padlock

LLH502N

LLH504N

### Available half cylinder:

The lift handle must be completed with an insert. The insert will be chosen, based on customer requirements in the project.



LHC521

Ronis half prof cyl. Key 21323C



LHC533

Cylinder insert, VW (no key)



LHC534

Adapter half prof cyl DIN18252



LHC535

Adapter Assa Abloy cylinders



LHC5212132E

Ronis half prof cyl. Key 2132E



LHC5213121E

Ronis half prof cyl. 3121E

**Note 1:** See annex 2.



**Note 2:** The locking system is compatible with other RONIS half cylinders. To use a different half cylinder, a plastic adapter must be ordered. The adapter is available as accessory in our portfolio.

# Floor Standing | Mild steel

## T-handle



with key

without key

The T-handle is made in plastic using RAL 5013 finishing. This T-handle replaces the standard door lock cover and is available in two versions.



For control mechanism

## T-handle with key



LLTH560N

T-handle, key C21323



LLTH5602132EN

T-handle, key 2132E



LLTH5603121EN

T-handle, key 3121E



LLTH5603524EN

T-handle, key 3524E

Note: See annex 2.

## T-handle without key



LLTH560CEN

T-handle, without cylinder

# Floor Standing | Stainless steel

The locking system is compatible with locking inserts and is equipped with an enhanced security 'click' indicator which makes users aware that the locking system is either fully opened or closed.



## Standard lock cover

The standard cover for stainless steel enclosures is made in stainless steel.

Replacement part number S3224 (see replacement catalogue), minimum order quantity - 10 pcs.



For control mechanism



For insert

LLHS500N

## Alternative inserts for standard lock cover

Lock inserts can substitute the standard insert. Inserts have a chrome finish.



LI503

Lock insert, 3 mm double bit



LI505

Lock insert, 5 mm double bit



LI523

Lock insert, 7 mm square



LI524

Lock insert, 8 mm square



LI526

Lock insert, 7 mm triangle



LI527

Lock insert, 8 mm triangle



LI530

Lock insert, Daimler Benz

# Floor Standing | Stainless steel

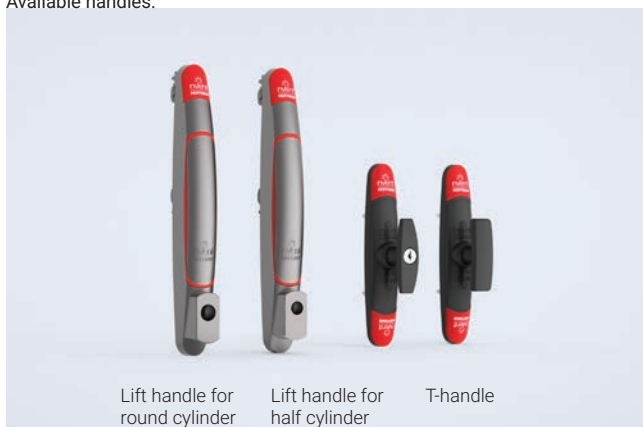


## Handles

The lift handles are very durable and give high performance for a fairly long period.

Handles can be used with the corresponding design of door and frame for left or right hinged doors. The locking system can be exchanged quick and easily.

Available handles:



# Floor Standing | Stainless steel

## Lift handle compatible with round cylinder



The lifting handle for stainless steel enclosures is made in Zamak and with stainless steel finishing. The lift handles enhance the smooth motion when opening and closing the enclosure door even further.



For control mechanism



For round cylinder

LLHS501N

Available round cylinder:

The lift handle must be completed with an insert. The insert will be chosen based on the customer requirements from the project.



LHC522

Ronis round prof cyl. Key 21323C



LHC523

Cylinder insert, 7 mm square



LHC524

Cylinder insert, 8 mm square



LHC526

Cylinder insert, 7 mm triangle



LHC527

Cylinder insert, 8 mm triangle



LHC528

Insert DIN 3 mm



LHC529

Insert DIN 5 mm



LHC530

Cylinder insert, Daimler Benz



LHC536

Push button insert

Note: See Annex 2.

# Floor Standing | Stainless steel

## Lift handle compatible with half cylinder



The lifting handles for stainless steel enclosures are made in Zamak and stainless steel finishing. The lift handles enhance the smooth motion when opening and closing the enclosure door even further.

The lifting handle is available with or without padlocking.



For control mechanism



For half cylinder

LLHS502N

### Available half cylinder:

The lift handle must be completed with an insert. The insert will be chosen, based on customer requirements in the project.



LHC521

Ronis half prof cyl. Key 21323C



LHC533

Cylinder insert, VW (no key)



LHC534

Adapter half prof cyl DIN18252



LHC535

Adapter Assa Abloy cylinders



LHC5212132E

Ronis half prof cyl. Key 2132E



LHC5213121E

Ronis half prof cyl. 3121E

**Note 1:** See Annex 2.



**Note 2 :** The locking system is compatible with other RONIS half cylinders. To use a different half cylinder, a plastic adapter must be ordered. The adapter is available as accessory in our portfolio.

# Floor Standing | Stainless steel

## T-handle



with key

without key

The T-handle is made in plastic using RAL 5013 finishing. This T-handle replaces the standard door lock cover and is available in two versions.



For control mechanism

### T-handle with key



LLTH560N

T-handle, key C21323



LLTH5602132EN

T-handle, key 2132E



LLTH5603121EN

T-handle, key 3121E



LLTH5603524EN

T-handle, key 3524E

Note: See Annex 2.

### T-handle without key



LLTH560CEN

T-handle, without cylinder

# Floor Standing | Aluminium, Compact version

## Lift handle compatible with half cylinder



The lifting handles for aluminium enclosures are made in Zamak and stainless steel finishing. The lift handles enhance the smooth motion when opening and closing the enclosure door even further.

The lifting handle is available with or without padlocking.



For control mechanism



For half cylinder

LLHS502N

### Available half cylinder:

EKOM and EKOM-SW are equipped with LHC521333 (Ronis half profile cylinder, key 333) as standard. However, the lift handle can be customized based on customer requirements in the project.



LHC521

Ronis half prof cyl. Key 21323C



LHC533

Cylinder insert, VW (no key)



LHC534

Adapter half prof cyl DIN18252



LHC535

Adapter Assa Abloy cylinders



LHC5212132E

Ronis half prof cyl. Key 2132E



LHC5213121E

Ronis half prof cyl. 3121E

**Note 1:** See Annex 2.



**Note 2:** The locking system is compatible with other RONIS half cylinders. To use a different half cylinder, a plastic adapter must be ordered. The adapter is available as accessory in our portfolio.

# Floor Standing | Aluminium, Combinable version

Lift handle compatible with half cylinder



The lifting handles for aluminium enclosures are made in Zamak and stainless steel finishing. The lift handles enhance the smooth motion when opening and closing the enclosure door even further.

The lifting handle is available with or without padlocking.



For control mechanism



For half cylinder

LLHS502N

Available half cylinder:

The lift handle must be completed with an insert. The insert will be chosen, based on customer requirements in the project.



LHC521

Ronis half prof cyl. Key 21323C



LHC533

Cylinder insert, VW (no key)



LHC534

Adapter half prof cyl DIN18252



LHC535

Adapter Assa Abloy cylinders



LHC5212132E

Ronis half prof cyl. Key 2132E



LHC5213121E

Ronis half prof cyl. 3121E

**Note 1:** See Annex 2.



**Note 2:** The locking system is compatible with other RONIS half cylinders. To use a different half cylinder, a plastic adapter must be ordered. The adapter is available as accessory in our portfolio.

# Wall Mounted | Mild steel

## Standard Cam Lock



The body of these locks is manufactured from Zamak in RAL 9005 finishing. The cam pulls the door closed using a light compression force.



Protection degree IP 66



Universal LH / RH

ALL503N

### Alternative inserts for standard cam lock



ALIS503 Lock insert DIN  
3 mm zamak chrome plated



ALIS505 Lock insert DIN  
5 mm zamak chrome plated



ALIS523 Lock insert square  
7 mm zamak chrome plated



ALIS524 Lock insert triangle  
8 mm zamak chrome plated



ALIS525 Lock insert square  
8 mm zamak chrome plated



ALIS528 Lock insert slotted  
2x4 mm zamak chrome plated

# Wall Mounted | Mild steel

## Alternative Cam lock

Cam Locks are designed for a wide variety of applications including drawers, doors, access panels, storage boxes and so on. These alternative CAM locks can replace the standard lock, using the same cutout.

### ALL508 - Lock, chrome, Ronis key M21323

Not suitable for MAD, because there is quite some resistance for the small key. Body too long (20 mm instead of 18 mm).



 **Protection degree IP 65**

 **Universal LH / RH**

### ALL509 - Lock, polyamide, Ronis key 5333

Not suitable for MAD, because there is quite some resistance for the small key. Body too long (20 mm instead of 18 mm).



 **Protection degree IP 65**

 **Universal LH / RH**

### ALL510N - Lock, Ronis C21323

Not suitable for MAD, because there is quite some resistance for the small key.



 **Protection degree IP 65**

 **Universal LH / RH**

### ALLS304 - Lock Stainless steel, DIN 3 mm

 **Protection degree IP 65**

 **Universal LH / RH**

### ALLS316 - Lock Stainless steel 316L, DIN 3 mm

 **Protection degree IP 66**

 **Universal LH / RH**

## Wall Mounted | Mild steel

### Alternative T-handle And Wing Knob

---

Universal: Clockwise or counter-clockwise rotation when opening or closing. Compatible with the cutout from the standard lock. Ergonomic design enables firm grip when pulled. Supplied with two keys.



ALT560 - T-handle, plastic

 Protection degree IP 66


---

 Universal LH / RH

---



ALT561 - T-handle, chrome, Ronis key M21323

 Protection degree IP 65

---

 Universal LH / RH

---



ALT562 - Compact Wing knob, chrome, Ronis key M21323

 Protection degree IP 65

---

 Universal LH / RH

---



ALT563 - Compact Wing knob, plastic, Ronis key 5333

 Protection degree IP 65

---

 Universal LH / RH

---

## Wall Mounted | Mild steel



ALT564 - Wing knob for padlock, zinc die black coated



Protection degree IP 66



Universal LH / RH



ALT565 – Handle for half cylinder, plastic



Protection degree IP 65



Universal LH / RH

The handle must be completed with an insert acc. to DIN 18252.

### Available half cylinder:

The Swing handle must be completed with an insert. The insert will be chosen based on the customer requirements from the project.



LSSU521

Half cylinder Ronis 21323C



LSSU522

Ronis Round Prof inserts 21323C



LSSU523

Half cylinder Square 7 mm



LSSU524

Half cylinder Square 8 mm



LSSU526

Half cylinder Triangle 7 mm



LSSU527

Half cylinder Triangle 8 mm



LSSU528

Half cylinder DIN 3 mm



LSSU529

Half cylinder DIN 5 mm



LSSU530

Half cylinder

Note: Other keys are available on request

# Wall Mounted | Mild steel


## Swing Handle ALS500



To replace the standard lock, an additional hole  $\varnothing 46$  mm is required, removing the door profile on the lock side and notch from standard latch.

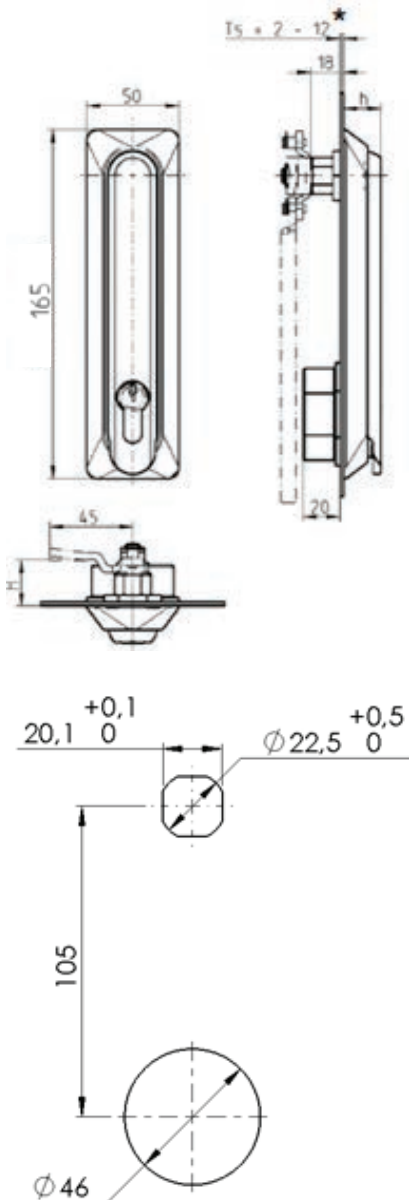
 Protection degree IP 65

 For cam lock

 For half cylinder







 Universal LH / RH

 Handle rotation



### Available half cylinder:

The Swing handle must be completed with an insert. The insert will be chosen based on the customer requirements from the project.

	LSSU521	Half cylinder Ronis 21323C
	LSSU522	Ronis Round Prof inserts 21323C
	LSSU523	Half cylinder Square 7 mm
	LSSU524	Half cylinder Square 8 mm
	LSSU526	Half cylinder Triangle 7 mm
	LSSU527	Half cylinder Triangle 8 mm
	LSSU528	Half cylinder DIN 3 mm
	LSSU529	Half cylinder DIN 5 mm
	LSSU530	Half cylinder

Note: Other keys are available on request

# Wall Mounted | Mild steel

## Swing Handle for Scandinavian Oval Cylinder



ALS535

To replace the standard lock. Swing handle for 6- or 7-pin cylinder. Glass fiber reinforced polyamide, black. Integrated PUR gasket. Equipped with a soft cover to protect the cylinder from dust and rain. An additional hole  $\varnothing 43$  mm is required, removal of the door profile on the lock side and removal of the cam with stopper from the standard lock.



Protection degree IP 65



For cam lock



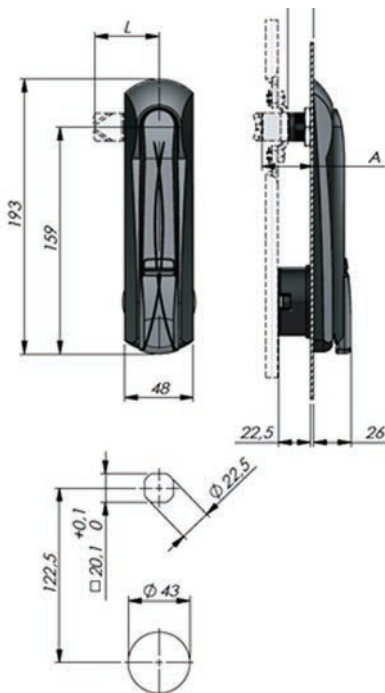
For ASSA cylinder



Universal LH / RH



Handle rotation



Available half cylinder:

Insert:

The swing handle must be completed with a Scandinavian oval 6- or 7-pin cylinder. The insert will be chosen based on the customer requirements from the project.

Cam:

A cam without stopper is required.

# Wall Mounted | Stainless steel

Quarter-turn lock for right or left deployment. The lock can be installed pre-assembled. The fastening nut is an earthing nut with teeth on one side and allows installation into a single punched hole.

## Standard Cam Lock



The body of these locks is manufactured from Zamak finishing. The cam pulls the door closed using a light compression force.



Protection degree IP 66



Universal LH / RH

ALLS503N

## Alternative inserts for standard cam lock



ALIS503 Lock insert DIN  
3 mm zamak chrome plated



ALIS505 Lock insert DIN  
5 mm zamak chrome plated



ALIS523 Lock insert square  
7 mm zamak chrome plated



ALIS524 Lock insert triangle  
8 mm zamak chrome plated



ALIS525 Lock insert square  
8 mm zamak chrome plated



ALIS528 Lock insert slotted  
2x4 mm zamak chrome plated

## Wall Mounted | Stainless steel

### Alternative Cam lock

Cam Locks are designed for a wide variety of applications including drawers, doors, access panels, storage boxes and so on. These alternative CAM locks can replace the standard lock, using the same cutout.



#### ALL508 - Lock, chrome, Ronis key M21323

Not suitable for MAD, because there is quite some resistance for the small key. Body too long (20 mm instead of 18 mm).



Protection degree IP 65



Universal LH / RH



#### ALL509 - Lock, polyamide, Ronis key 5333

Not suitable for MAD, because there is quite some resistance for the small key. Body too long (20 mm instead of 18 mm).



Protection degree IP 65



Universal LH / RH



#### ALL510N - Lock, Ronis C21323

Not suitable for MAD, because there is quite some resistance for the small key.



Protection degree IP 65



Universal LH / RH



#### ALLS304 - Lock Stainless steel, DIN 3 mm



Protection degree IP 65



Universal LH / RH



#### ALLS316 - Lock Stainless steel 316L, DIN 3 mm



Protection degree IP 66



Universal LH / RH

## Wall Mounted | Stainless steel

### Alternative T-handle And Wing Knob

Universal: Clockwise or counter-clockwise rotation when opening or closing. Compatible with the cutout from the standard lock. Ergonomic design enables firm grip when pulled. Supplied with two keys.



ALT560 - T-handle, plastic

Not suitable for AFS, due to missing quarter-turn limitation.



Protection degree IP 66



Universal LH / RH



ALT561-316 T-Handle, AISI 316, key 333



Protection degree IP 65



Universal LH / RH



ALT562 - Compact Wing knob, chrome, Ronis key M21323



Protection degree IP 65



Universal LH / RH



ALT563 - Compact Wing knob, plastic, Ronis key 5333



Protection degree IP 65



Universal LH / RH



ALT564-316 - Wing knob for padlock, stainless steel 316



Protection degree IP 65



Universal LH / RH

# Wall Mounted | Stainless steel

## Swing Handle ALS500



To replace the standard lock, an additional hole  $\varnothing 46$  mm is required, removing the door profile on the lock side and notch from standard latch.



Protection degree IP 65



For cam lock



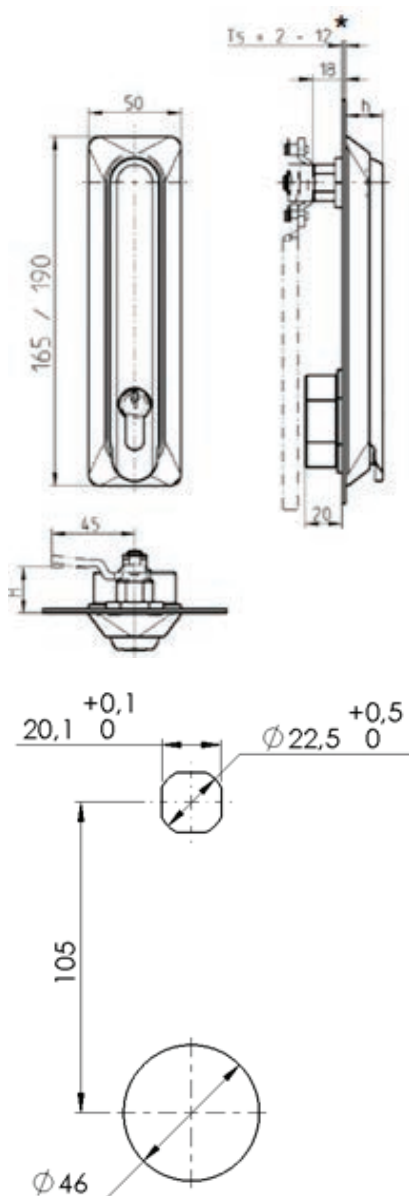
For half cylinder



Universal LH / RH



Handle rotation



### Available half cylinder:

The Swing handle must be completed with an insert. The insert will be chosen based on the customer requirements from the project.



LSSU521

Half cylinder Ronis 21323C



LSSU522

Ronis Round Prof inserts 21323C



LSSU523

Half cylinder Square 7 mm



LSSU524

Half cylinder Square 8 mm



LSSU526

Half cylinder Triangle 7 mm



LSSU527

Half cylinder Triangle 8 mm



LSSU528

Half cylinder DIN 3 mm



LSSU529

Half cylinder DIN 5 mm



LSSU530

Half cylinder

Note: Other keys are available on request

# Wall Mounted | Stainless steel

## Swing Handle for Scandinavian Oval Cylinder



ALS535

To replace the standard lock. Swing handle for 6- or 7-pin cylinder. Glass fiber reinforced polyamide, black. Integrated PUR gasket. Equipped with a soft cover to protect the cylinder from dust and rain. An additional hole  $\varnothing 43$  mm is required, removal of the door profile on the lock side and removal of the cam with stopper from the standard lock.



Protection degree IP 65



For cam lock



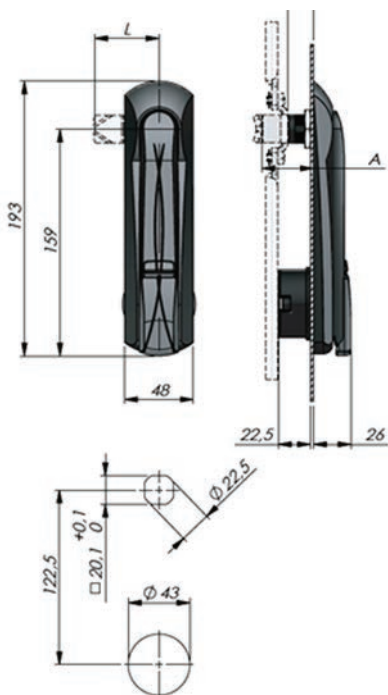
For ASSA cylinder



Universal LH / RH



Handle rotation



Available half cylinder:

Insert:

The swing handle must be completed with a Scandinavian oval 6- or 7-pin cylinder. The insert will be chosen based on the customer requirements from the project.

Cam:

A cam without stopper is required.

# Wall Mounted | Polyester Compact

Quarter-turn lock for right or left deployment. The lock can be installed pre-assembled. The fastening nut is an earthing nut with teeth one side. It allows installation into a single punched hole.

## Standard Cam Lock

The body of these locks is manufactured from black polyamide. The cam pulls the door closed using a light compression force.

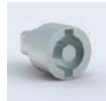


### Alternative Inserts For Cam Lock For UCP/UCPT 320 And 430

Lock inserts can substitute the standard insert. Inserts have a chrome finish.



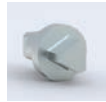
**ALIS503** Lock insert DIN 3 mm zamak chrome plated



**ALIS505** Lock insert DIN 5 mm zamak chrome plated



**ALIS523** Lock insert square 7 mm zamak chrome plated



**ALIS524** Lock insert triangle 8 mm zamak chrome plated



**ALIS525** Lock insert square 8 mm zamak chrome plated



**ALIS528** Lock insert slotted 2x4 mm zamak chrome plated

### Alternative Inserts For Cam Lock For UCP/UCPT ≥ 540

Lock inserts can substitute the standard insert. Inserts have a chrome finish.



**LSI503** Insert DIN 3 without cover



**LSI505** Insert DIN 5 without cover



**LSI523** Insert square 7 mm without cover



**LSI524** Insert square 8 mm



**LSI526** Insert triangular 7 mm

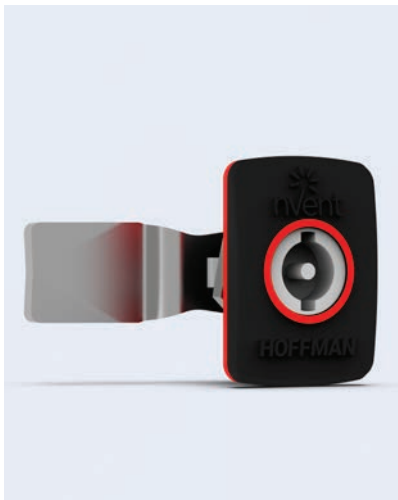


**LSI527** Lock triangulcar 8 mm



**LSI530** Insert Daimler Benz

# Wall Mounted | Polyester Compact



ALL503N

## Alternative Cam lock

---

Cam Locks are designed for a wide variety of applications including drawers, doors, access panels, storage boxes and so on. These alternative CAM locks can replace the standard lock, using the same cutout.

## Alternative Inserts For Cam Lock

---



ALIS503

Lock insert DIN  
3 mm zamak chrome plated

---



ALIS505

Lock insert DIN  
5 mm zamak chrome plated

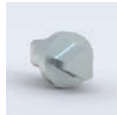
---



ALIS523

Lock insert square  
7 mm zamak chrome plated

---



ALIS524

Lock insert triangle  
8 mm zamak chrome plated

---



ALIS525

Lock insert square  
8 mm zamak chrome plated

---



ALIS528

Lock insert slotted  
2x4 mm zamak chrome plated

---

# Wall Mounted | Polyester Compact

## Alternative T-handle And Wing Knob

Universal: Clockwise or counter-clockwise rotation when opening or closing. Compatible with the cutout from the standard lock. Ergonomic design enables firm grip when pulled. Supplied with two keys.



Protection degree IP 66



Universal LH / RH



Protection degree IP 65



Universal LH / RH



Protection degree IP 65



Universal LH / RH



Protection degree IP 65



Universal LH / RH

# Wall Mounted | Polyester Compact



## Handles

The handles are used as an option to promote enclosure security. The handle provides quick and easy access to the enclosure content.

### Available handles:

- Neutral handle with or without key;
- Handle for half cylinder for UCP320 and UCP430;
- Handle for half cylinder with or without padlocking for enclosures  $H \geq 540$  mm;

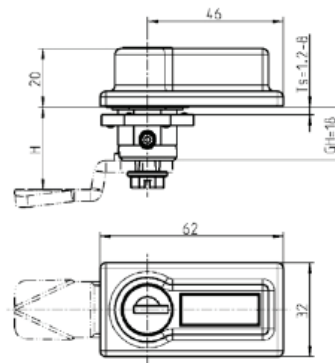
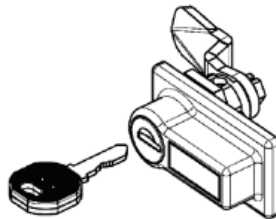
## Neutral Handle

The Neutral Handles can replace the standard lock on all enclosures, using the same cutout. The handle is made out of black polyamide.



UDH0C  
without key

UDH1C  
with key





# Wall Mounted | Polyester Compact

## Handle For Half Cylinder UCP320 and UCP/UCPT430



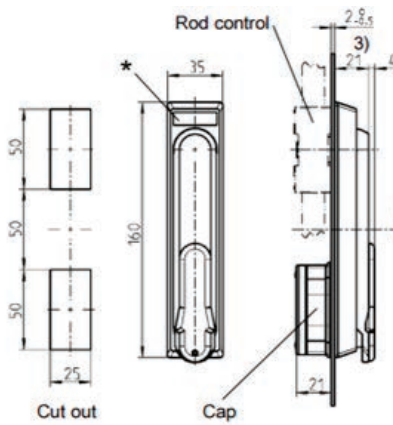
Swing handle for half cylinder: polyamide, black, with seal. Cylinder cover: polyamide. Additional holes required, see drawing.

 For cam lock

 For half cylinder










 Handle rotation

UDH2CS



### Available half cylinder:

The Swing handle must be completed with an insert. The insert will be chosen based on the customer requirements from the project.

	LSSU521	Half cylinder Ronis 21323C
	LSSU522	Ronis Round Prof inserts 21323C
	LSSU523	Half cylinder Square 7 mm
	LSSU524	Half cylinder Square 8 mm
	LSSU526	Half cylinder Triangle 7 mm
	LSSU527	Half cylinder Triangle 8 mm
	LSSU528	Half cylinder DIN 3 mm
	LSSU529	Half cylinder DIN 5 mm
	LSSU530	Half cylinder Daimler Benz

# Wall Mounted | Polyester Compact

## Handle for half cylinder UCP/UCPT $\geq 540$ mm



Swing handle for half cylinder: polyamide, black, with seal. Cylinder cover: polyamide. Additional holes required.



For control mechanism



For half cylinder

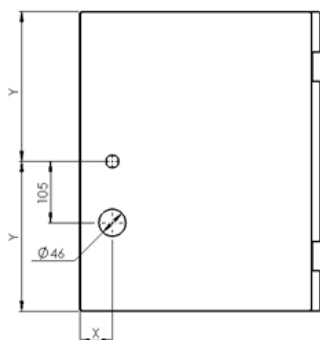


Can be or is equipped with padlock

UDH2C

Available half cylinder:

The Swing handle must be completed with an insert. The insert will be chosen based on the customer requirements from the project.



Type/Dim (mm)	X	Y
UCP /UCPT 540	56	257
UCP /UCPT 640	56	307
UCP /UCPT 750	44	367
UCP /UCPT 860	44	417
UCP /UCPT 1080	44	517



LSSU521

Half cylinder Ronis 21323C



LSSU522

Ronis Round Prof inserts 21323C



LSSU523

Half cylinder Square 7 mm



LSSU524

Half cylinder Square 8 mm



LSSU526

Half cylinder Triangle 7 mm



LSSU527

Half cylinder Triangle 8 mm



LSSU528

Half cylinder DIN 3 mm



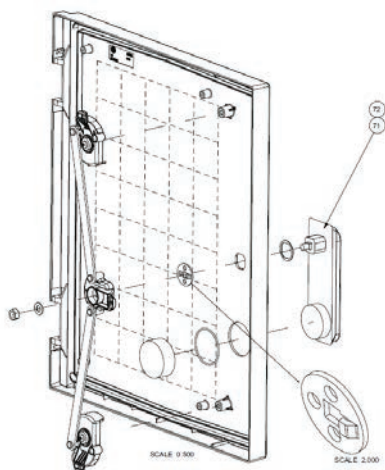
LSSU529

Half cylinder DIN 5 mm



LSSU530

Half cylinder Daimler Benz



# Wall Mounted | Polyester Modular

The handles are used as an option to promote enclosure security. The handle provides quick and easy access to the enclosure contents.

## Standard Swing Handle



Swing handle for half cylinder: polyamide, black, with seal. Cylinder cover: polyamide. Additional holes required.



For control mechanism



For half cylinder

UDH01

Available half cylinder:

The Swing handle must be completed with an insert. The insert will be chosen based on the customer requirements from the project.



LSSU521

Half cylinder Ronis 21323C



LSSU522

Ronis Round Prof inserts 21323C



LSSU523

Half cylinder Square 7 mm



LSSU524

Half cylinder Square 8 mm



LSSU526

Half cylinder Triangle 7 mm



LSSU527

Half cylinder Triangle 8 mm



LSSU528

Half cylinder DIN 3 mm



LSSU529

Half cylinder DIN 5 mm



LSSU530

Half cylinder Daimler Benz

# Wall Mounted | Polyester Modular

## Alternative Swing Handle

---

The handle provides quick and easy access to the enclosure contents

### Available handles:

- Handle for two half cylinder lock;
- Handle with padlocking.

## Handle for two half cylinder lock

---



Swing handle for half cylinder: polyamide, black, with seal. Shaft: zinc die-cast. Double cylinder with one key operation.



For control mechanism



For half cylinder

---

UDH02

## Handle with padlock

---



Swing handle for half cylinder: polyamide, black, with seal. Shaft: zinc die-cast.



For control mechanism



For half cylinder



Can be or is equipped with padlock

---

UDH03

## Wall Mounted | Aluminium Glazed Doors

The handles are used as an option to promote enclosure security. The handle provides quick and easy access to the enclosure content.

### Lock For ADA Aluminium Glazed Door



ALL506: ADA Ronis key lock C21323

Generally, the existing latch of the aluminium door should be used.



IP 65 protection



Universal LH / RH

### Lock For ADAB Aluminium Glazed Door



ALL507: ADAB Ronis key lock C21323

Generally, the existing latch of the aluminium door should be used.



IP 65 protection



Universal LH / RH

# Wall Mounted | Aluminium Glazed Doors

## Alternative T-handle And Wing Knob

---

Universal: Clockwise or counter-clockwise rotation when opening or closing. Compatible with the cutout from the standard lock. Ergonomic design enables firm grip when pulled. Supplied with two keys.



Protection degree IP 66

---



Universal LH / RH

---



Protection degree IP 65

---



Universal LH / RH

---



Protection degree IP 65

---



Universal LH / RH

---



Protection degree IP 65

---



Universal LH / RH

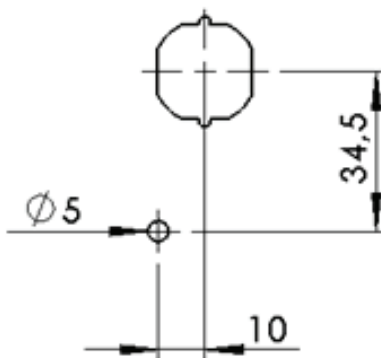
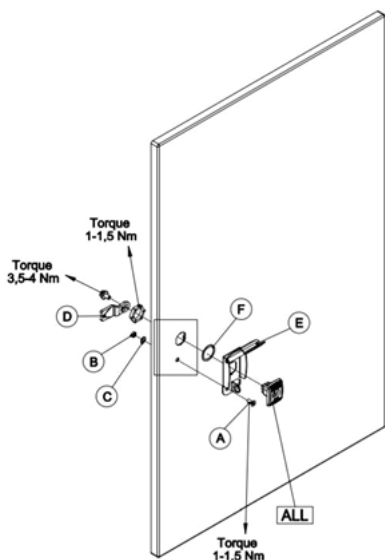
---

# Wall Mounted | Padlocking PLC01

The padlocking cover is mounted over the existing lock. The standard lock is totally covered and not accessible when padlock is fitted. Maximum padlock bow has a diameter of 10 mm.



**Note:** The customer need to drill and additional hole  $\varnothing$  5 mm.



CAM LOCK	PLC01	
	Suitable	Non Suitable
ALLS304	OK*	
ALLS316	OK*	
ALL503N	OK*	
ALLS503N	OK*	
ALL506		Non Suitable
ALL507		Non Suitable
ALL508		Non Suitable
ALL509		Non Suitable
ALL510N		Non Suitable

\* Always replace the latch of the lock with the latch from the installation kit PLC01

# Alternative Keys

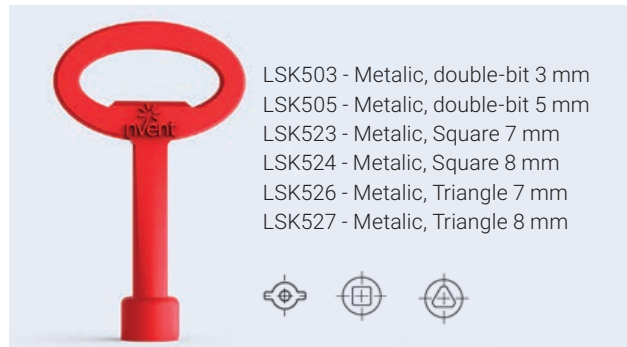
A key is usually intended to operate one specific lock or a small number of locks that are keyed alike.

Available keys:

- Keys for standard inserts;
- Multikeys;
- Other keys available on request.

## Key For Standard Inserts

The key will be chosen based on customer requirements from the project.



## Multi-key

Multi-key with four key grip: Double bit 5 mm, Square 8 mm, Triangle 8 mm and Standard hexagonal adapter.  
Material: zinc die-cast, in RAL 5010 finishing.



# Annex 1

## Available keys for Floor standing enclosures on request

### Compatible with LLH502N/LLHS502N/LLH504N \*

LHC5210405E	Key NR 0405E
LHC5210421E	Key NR 0421E
LHC5210455E	Key NR 0455E
LHC5210520E	Key NR 0520E
LHC5210610E	Key NR 0610E
LHC5211232E	Key NR 1232E
LHC5211242E	Key NR 1242E
LHC5211322E	Key NR 1322E
LHC5211332E	Key NR 1332E
LHC5212121E	Key NR 2121E
LHC5212124E	Key NR 2124E
LHC5212131A	Key NR 2131A
LHC5212131E	Key NR 2131E
LHC5212132A	Key NR 2132A
LHC5212132E	Key NR 2132E
LHC5212133E	Key NR 2133E
LHC5212241A	Key NR 2241A
LHC5212232A	Key NR 2232A
LHC5212313E	Key NR 2313E
LHC5212321E	Key NR 2321E
LHC5212331A	Key NR 2331A
LHC5212332A	Key NR 2332A
LHC5212424A	Key NR 2424A
LHC5212432A	Key NR 2432A
LHC5212432E	Key NR 2432E
LHC5212433A	Key NR 2433A
LHC5212433E	Key NR 2433E
LHC5213113A	Key NR 3113A
LHC5213121E	Key NR 3121E
LHC5213122A	Key NR 3122A
LHC5213122E	Key NR 3122E
LHC5213123E	Key NR 3123E
LHC5213132A	Key NR 3132A
LHC5213132E	Key NR 3132E
LHC5213231A	Key NR 3231A
LHC5213321E	Key NR 3321E
LHC5213432E	Key NR 3432E
LHC5213524E	Key NR 3524E
LHC5214322A	Key NR 4322A
LHC52131131C	Key NR 31131C
LHC52132432C	Key NR 32432C
LHC521EK333	Key NR EK333
LHC521EDF900	Key NR EDF900
LHC521EDF1300	Key NR EDF1300
LHC5213112E	Key NR 3112E

\* Minimum order quantity 10 pcs.

### Compatible with LLH501N/LLHS501N/LLH503N \*

LHC5220405E	Key NR 0405E
LHC5220421E	Key NR 0421E
LHC5220455E	Key NR 0455E
LHC5220520E	Key NR 0520E
LHC5220610E	Key NR 0610E
LHC5221232E	Key NR 1232E
LHC5221242E	Key NR 1242E
LHC5221322E	Key NR 1322E
LHC5221332E	Key NR 1332E
LHC5222121E	Key NR 2121E
LHC5222124E	Key NR 2124E
LHC5222131A	Key NR 2131A
LHC5222131E	Key NR 2131E
LHC5222132A	Key NR 2132A
LHC5222132E	Key NR 2132E
LHC5222133E	Key NR 2133E
LHC5222241A	Key NR 2241A
LHC5222232A	Key NR 2232A
LHC5222313E	Key NR 2313E
LHC5222321E	Key NR 2321E
LHC5222331A	Key NR 2331A
LHC5222332A	Key NR 2332A
LHC5222424A	Key NR 2424A
LHC5222432A	Key NR 2432A
LHC5222432E	Key NR 2432E
LHC5222433A	Key NR 2433A
LHC5222433E	Key NR 2433E
LHC5223113A	Key NR 3113A
LHC5223121E	Key NR 3121E
LHC5223122A	Key NR 3122A
LHC5223122E	Key NR 3122E
LHC5223123E	Key NR 3123E
LHC5223132A	Key NR 3132A
LHC5223132E	Key NR 3132E
LHC5223231A	Key NR 3231A
LHC5223321E	Key NR 3321E
LHC5223432E	Key NR 3432E
LHC5223524E	Key NR 3524E
LHC5224322A	Key NR 4322A
LHC52231131C	Key NR 31131C
LHC52232432C	Key NR 32432C
LHC522EK333	Key NR EK333
LHC522EDF900	Key NR EDF900
LHC522EDF1300	Key NR EDF1300

### Compatible with LLH502N/LLHS502N/LLH504N \*

LHC5210405E	Key NR 0405E
LHC5210421E	Key NR 0421E
LHC5213122E	Key NR 3122E
LHC5213123E	Key NR 3123E
LHC5213132A	Key NR 3132A
LHC5213132E	Key NR 3132E

Blank page with horizontal dotted lines for writing.

Our powerful portfolio of brands:

**CADDY ERICO HOFFMAN ILSCO RAYCHEM SCHROFF**



**[HOFFMAN.nVent.com](https://www.hoffman.nvent.com)**