

# ORO

## IP40 FLUSH-FIT DISTRIBUTION BOXES

Description: IP40 FLUSH-FIT BOX 1x8 MOD. TRANSPARENT WINDOW. N&E BARS

Reference:  
**BM8PT/RR**

### Characteristics:

<b>Product type:</b>	Flush-fit distribution boxes with neutral and earth bars
<b>Exterior dimensions (Height x Width x Depth):</b>	248x190x97 mm
<b>Dimensions of the flush-fit gap (HxWxD):</b>	228x190x65 mm
<b>Number of modules:</b>	1x8 DIN rail
<b>Installation:</b>	Flush-fitted
<b>Color:</b>	RAL 9003
<b>Window:</b>	Transparent
<b>Weight (kg):</b>	0,67
<b>Cable entry:</b>	Top: 2xM25-3xM25/32. Bottom: 2xM25-3xM25/32. Left: 2xM25. Right: 2xM25
<b>Components:</b>	Cable section N&E: 1x(10-25mm <sup>2</sup> )+1x(4-10 mm <sup>2</sup> )+8x(2,5-6 mm <sup>2</sup> )
<b>Materials:</b>	Halogen-free plastic materials. Polystyrene
<b>Lid-window-door material:</b>	Tinted PC

### Technical data:

<b>Degree of protection:</b>	IP40
<b>Resistance to impact:</b>	IK08
<b>Glow wire resistance:</b>	650 °C
<b>Ball pressure test:</b>	70 °C
<b>Ambient temperature range:</b>	-25 °C / +40 °C
<b>Maximum operating voltage:</b>	1000 V AC / 1500 V DC
<b>Rated current:</b>	63A
<b>Double insulation:</b>	Class II

### Certificates and standards:

<b>Directive:</b>	2014/35/EU
<b>Standards:</b>	IEC 62208, IEC 61439-1
<b>Certificates:</b>	



### Codes:

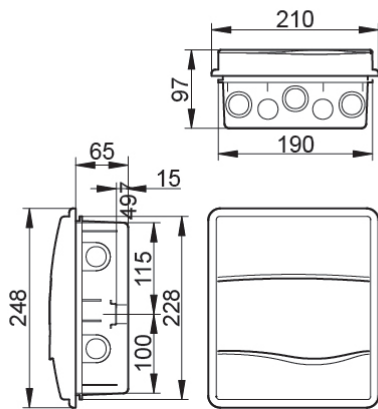
<b>EAN:</b>	8431044304526
<b>Customs tariff number:</b>	85.38.10.00
<b>ETIM 8.0:</b>	EC000214

# ORO

## IP40 FLUSH-FIT DISTRIBUTION BOXES

Description: IP40 FLUSH-FIT BOX 1x8 MOD. TRANSPARENT WINDOW. N&E BARS

Reference: BM8PT/RR



**Exterior dimensions (Height x Width x Depth):**

248x190x97 mm

**Dimensions of the flush-fit gap (Height x Width x Depth):**

228x190x65 mm

### Sustainability:

RoHS - REACH

### Supply:

Supplied in individual cardboard packaging. When several items are sent together, they are bundled together with transparent film.

**Packaging units:** 10

### Product end of life:

It does not require specific recycling operations.

### Recommended applications:

Tertiary and residential sectors. For use indoors, designed for flush-fit installation. Flats, houses, offices, hotels, etc.