

STAR

IP65 BOXES FOR INDUSTRIAL SOCKETS

Description: IP65 SURFACE BOX 1x18 MOD. TRANSP.WINDOW. N&E BARS

Reference:

CSN18PT/RR

Characteristics:

Product type:	IP65 Boxes for industrial sockets with neutral and earth bars
Exterior dimensions (Height x Width x Depth):	436x418x147 mm
Dimensions of the flush-fit gap (HxWxD):	-
Number of modules:	1x18 DIN rail
Installation:	Surface
Color:	RAL 7035
Window:	Transparent
Weight (kg):	2,74
Cable entry:	Top: 12xM20 - 6xM25 - 2xM32 - 1xM40 - Bottom: 10xM20 - 6xM25 - 2xM32 - 1xM40 - Oblong rear: 2xOB 25/32/25
Components:	Cable section N&E: 8x(2,5-6 mm ²)+8x(4-10 mm ²)+1x(10-25 mm ²)+1x(16-35 mm ²)
Materials:	Halogen-free plastic materials. Frame and base: ABS. Recommended for outdoor use: UV protection under ISO standard 4892-2, Method A: 500h.
Lid-window-door material:	Tinted PC, UV protection

Technical data:

Degree of protection:	IP65
Resistance to impact:	IK08
Glow wire resistance:	650 °C
Ball pressure test:	70 °C
Ambient temperature range:	-25 °C / +40 °C
Maximum operating voltage:	1000 V AC / 1500 V DC
Rated current:	125A
Double insulation:	Class II

Certificates and standards:

Directive:	2014/35/EU
Standards:	IEC 62208, IEC 61439-1
Certificates:	



Codes:

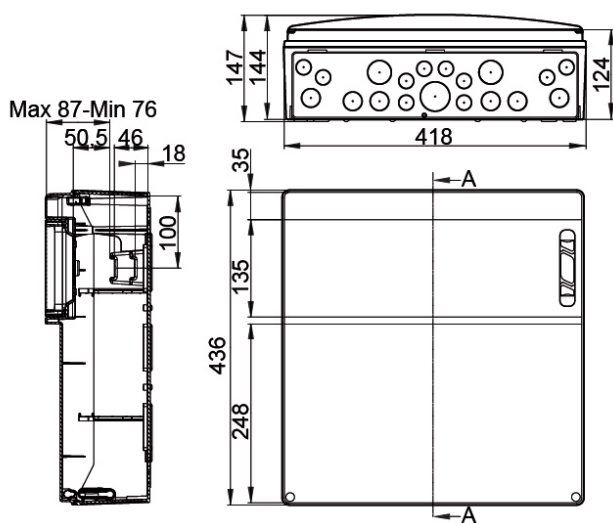
EAN:	8431044180212
Customs tariff number:	85.38.10.00
ETIM 8.0:	EC000379

STAR


IP65 BOXES FOR INDUSTRIAL SOCKETS


Description: IP65 SURFACE BOX 1x18 MOD. TRANSP.WINDOW. N&E BARS


Reference: CSN18PT/RR



Detailed drawing:

 <http://www.ide.es/downloads/planos/pdf/CSN18PTRR.pdf>

 <http://www.ide.es/downloads/planos/dxf/CSN18PTRR.dxf>

 <http://www.ide.es/downloads/planos/stp/CSN18PTRR.stp>

Exterior dimensions (Height x Width x Depth):

436x418x147 mm

Dimensions of the flush-fit gap (Height x Width x Depth):

-

Sustainability:

RoHS - REACH

Supply:

Supplied in individual cardboard packaging. When several items are sent together, they are bundled together with transparent film.

Packaging units: 2

Product end of life:

It does not require specific recycling operations.

Recommended applications:

Industrial and outdoor environments. Industrial sites, docks, swimming pools, garages, anywhere that requires a high degree of protection against dust, splashes and impacts.