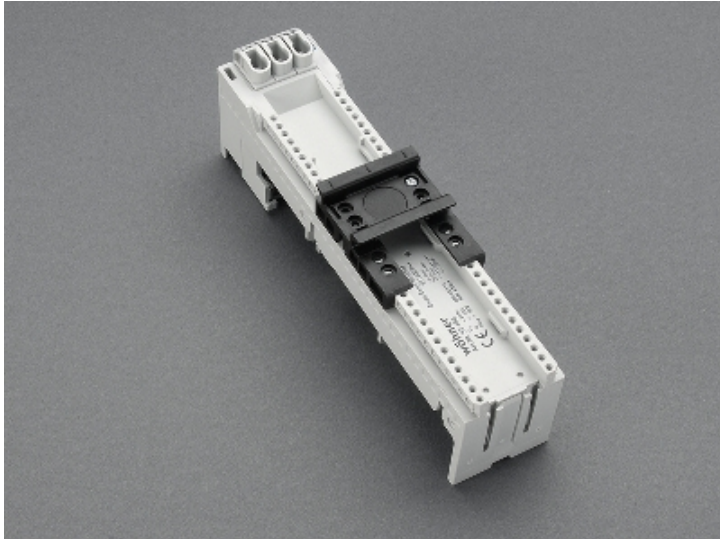


## busbar adapter 32 A (32486)



The picture may show a similar product.

### Description

Part No.: **32486**000

EQUES<sup>®</sup> 60Classic

busbar adapter 32 A

1 adjustable mounting rail

45 x 200, without leads, with spring terminals 1.5 - 6 mm<sup>2</sup> from front  
for busbars 12, 15, 20, 25, 30 x 5, 10 and section busbars

### System

60Classic

### Advantages of the product

Free phase selection.

Click mechanism when pushing onto the busbar.

Product group 05

Subgroup 21

pack size 4

EAN 4021267324865

ECLASS 6.1 27370304  
ECLASS 7.1 27370304  
ETIM 4.0 EC001531  
ETIM 5.0 EC001531

## Approvals

### Standards

IEC 61439-1:2020

CCC approval: no certification required

## Technical data

### Details IEC

#### Standards

IEC 61439-1:2020

#### Electrical data IEC

Rated current (IEC): 32 A  
rated voltage (IEC) AC: 690 V

rated isolation voltage  $U_i$  AC: 800 V

rated surge voltage  $U_{imp}$ : 6 kV

power dissipation of the article:

The power dissipation at a typical load of 80 % results to 1.6 W.

(The power dissipation at full load would be 2.5 W.)

#### Supplementary data IEC

The following values have been verified with tests under certain conditions. Please ask Wöhner for this conditions before designing your panel.

max. permitted voltage (IEC) DC: 800 V

### Mechanical data

W x H x D: 45 x 200 x 63

weight: 32.5 kg/100

poles: 3-pole

for busbars: 12, 15, 20, 25, 30 x 5, 10 and section busbars

## Application notes

There must be a clearance of at least 12 mm above the article to remove it from the busbar system.

short-circuit                      the short-circuit capacity of the combination of adapter and motor

withstandability:                starter depends on the motor starter

<https://pim.woehner.de/EN/EN/1000042842>