

# STAR KNOCK-OUT

## IP65 BOXES FOR INDUSTRIAL SOCKETS

Description: IP65 SURFACE BOX 1x18 MOD. KNOCKOUT COVERS. N&E BARS

Reference:

**PCSN18PT/RR**

### Characteristics:

<b>Product type:</b>	IP65 Boxes for industrial sockets with knock-out covers and neutral and earth bars
<b>Exterior dimensions (Height x Width x Depth):</b>	436x418x147 mm
<b>Dimensions of the flush-fit gap (HxWxD):</b>	-
<b>Number of modules:</b>	1x18 DIN rail
<b>Installation:</b>	Surface
<b>Color:</b>	RAL 7035
<b>Window:</b>	Transparent
<b>Weight (kg):</b>	3,03
<b>Cable entry:</b>	Top: 12xM20 - 6xM25 - 2xM32 - 1xM40 - Bottom: 10xM20 - 6xM25 - 2xM32 - 1xM40 - Oblong rear: 2xOB 25/32/25
<b>Components:</b>	8 Plain covers - 3 16A/Schuko IP67 covers - 4 IP44/IP54 Schuko covers. Cable section N&E: 8x(2,5-6 mm <sup>2</sup> )+8x(4-10 mm <sup>2</sup> )+1x(10-25 mm <sup>2</sup> )+1x(16-35 mm <sup>2</sup> )
<b>Materials:</b>	Halogen-free plastic materials. Frame and base: ABS. Recommended for outdoor use: UV protection under ISO standard 4892-2, Method A: 500h.
<b>Lid-window-door material:</b>	Tinted PC, UV protection

### Technical data:

<b>Degree of protection:</b>	IP65
<b>Resistance to impact:</b>	IK08
<b>Glow wire resistance:</b>	650 °C
<b>Ball pressure test:</b>	70 °C
<b>Ambient temperature range:</b>	-25 °C / +40 °C
<b>Maximum operating voltage:</b>	1000 V AC / 1500 V DC
<b>Rated current:</b>	125A
<b>Double insulation:</b>	Class II

### Certificates and standards:

<b>Directive:</b>	2014/35/EU
<b>Standards:</b>	IEC 62208, IEC 61439-1
<b>Certificates:</b>	



### Codes:

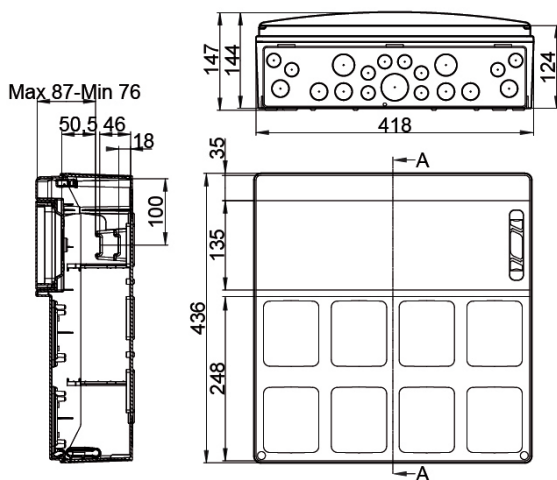
<b>EAN:</b>	8431044180236
<b>Customs tariff number:</b>	85.38.10.00
<b>ETIM 8.0:</b>	EC000379

# STAR KNOCK-OUT


## IP65 BOXES FOR INDUSTRIAL SOCKETS

Description: IP65 SURFACE BOX 1x18 MOD. KNOCKOUT COVERS. N&E BARS


Reference: PCSN18PT/RR



### Detailed drawing:

 <http://www.ide.es/downloads/planos/pdf/PCSN18PTRR.pdf>

 <http://www.ide.es/downloads/planos/dxf/PCSN18PTRR.dxf>

 <http://www.ide.es/downloads/planos/stp/PCSN18PTRR.stp>

### Exterior dimensions (Height x Width x Depth):

436x418x147 mm

### Dimensions of the flush-fit gap (Height x Width x Depth):

-

### Sustainability:

RoHS - REACH

### Supply:

Supplied in individual cardboard packaging. When several items are sent together, they are bundled together with transparent film.

Packaging units: 2

### Product end of life:

It does not require specific recycling operations.

### Recommended applications:

Industrial and outdoor environments. Industrial sites, docks, swimming pools, garages, anywhere that requires a high degree of protection against dust, splashes and impacts.