

## Susol Molded Case Circuit Breaker

### TE100S



#### General

Product code	0161004000
Product description	TE100S FMU100 63A 3P EXP
Trip Unit	FMU(Adjustable-thermal, Fixed-magnetic)
[In] rated current	63 A at 40 °C
Poles description	3P
Protected poles description	3T
Neutral position	-
Network type	AC (50/60 Hz), DC
Upside connection	Front (lug)
Downside connection	Front (lug)

#### Characteristics

[Ue] rated operational voltage (AC 50/60 Hz)	690 V AC
[Ue] rated operational voltage (DC)	500 V DC
[Uimp] rated impulse withstand voltage	8 kV
[Ui] rated insulation voltage	750 V
Mechanical durability	25000 cycles
Electrical durability (AC)	10000 cycles 415 V In

Electrical durability (DC)	-
Utilisation category	Category A
Suitability for isolation	Yes
Reference standard	IEC 60947-2
[Icu] rated Ultimate short-circuit breaking capacity	50 kA at 220/240 V AC 50/60 Hz, IEC 60947-2
	37 kA at 380/415 V AC 50/60 Hz, IEC 60947-2
	25 kA at 440/460 V AC 50/60 Hz, IEC 60947-2
	18 kA at 480/500 V AC 50/60 Hz, IEC 60947-2
	-
	6 kA at 660/690 V AC 50/60 Hz, Reference
	37 kA at 250 V DC, Reference
	37 kA at 500 V DC (2poles in series), Reference
[Ics] rated service breaking capacity	50 kA at 220/240 V AC 50/60 Hz, IEC 60947-2
	37 kA at 380/415 V AC 50/60 Hz, IEC 60947-2
	25 kA at 440/460 V AC 50/60 Hz, IEC 60947-2
	18 kA at 480/500 V AC 50/60 Hz, IEC 60947-2
	-
	-
	37 kA at 250 V DC, Reference
	37 kA at 500 V DC (2poles in series), Reference
[Icm] rated short-circuit marking capacity	105 kA at 220/240 V AC 50/60 Hz, IEC 60947-2
	77.7 kA at 380/415 V AC 50/60 Hz, IEC 60947-2
	52.5 kA at 440/460 V AC 50/60 Hz, IEC 60947-2
	36 kA at 480/500 V AC 50/60 Hz, IEC 60947-2
	-
	9.2 kA at 660/690 V AC 50/60 Hz, Reference
[Icw] rated short-time	-
	-
	-

withstand current	-
	-
Trip unit characteristics	Thermal-magnetic
	L : for overload protection (long time)
	-
	I : for instantaneous short-circuit protection
	-
	-
	-
	-
[Ir] Long-time pick-up adjustment range	Adjustable, 3 settings
	0.8, 0.9, 1 x In
[Iu] Long-time pick-up adjustment range	-
	-
[tr] Long-time delay adjustment range	-
	-
[Isd] Short-time pick-up adjustment range	-
	-
[tsd] Short-time delay adjustment range	-
	-
	-
	-
	-
	-
[Ii] Instantaneous pick-up	Fixed

adjustment range	10 x I <sub>n</sub>
[I <sub>g</sub> ] Ground-fault protection pick-up adjustment range	-
	-
	-
[t <sub>g</sub> ] Ground-fault protection time delay adjustment range	-
	-
	-
	-
Earth leakage pick-up adjustment range	-
	-
Earth leakage alarm time delay adjustment range	-
	-
Earth leakage trip time delay adjustment range	-
	-
[I <sub>p</sub> ] Pre-trip alarm pick-up adjustment range	-
	-
[t <sub>p</sub> ] Pre-trip alarm time delay adjustment range	-
	-
Alarm LED	-
	-

### Environment

Pollution degree	3, IEC 60664-1
Degree of protection	IP20, IEC 60529
Ambient air temperature for operation	-20...70 °C
Ambient air temperature for storage	-40...70 °C

Mounting mode	Fixed
Mounting support	Backplate
Approvals <sup>1)</sup> (General)	CE (Europe)
	-
	-
	-
	EAC (Russia)
	-
Approvals (shipping)	-
	-
	-
	-
	-
	-

1) LS ELECTRIC's standard products are designed for CE.

To check the product with regional certificates, please contact LSE sales representatives.

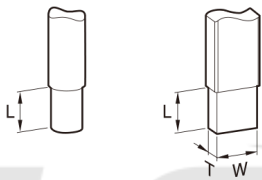
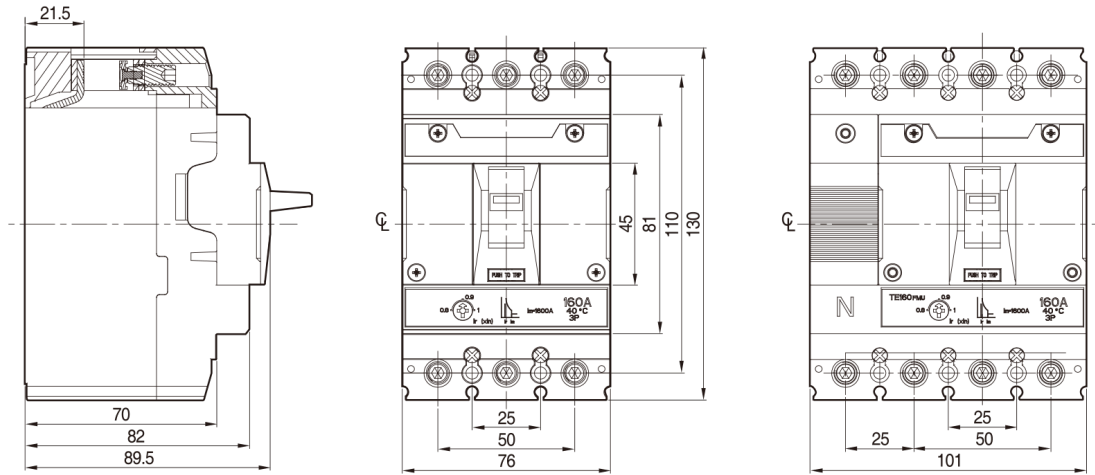


## Dimensions

Product	Width	76 mm
	Height	130 mm
	Depth	82 mm
	Weight	1.05 kg
Packing	Width	289 mm
	Height	442 mm
	Depth	120 mm
	Weight	12 kg
	Quantity (in a box)	10 pcs.

# TE100/160

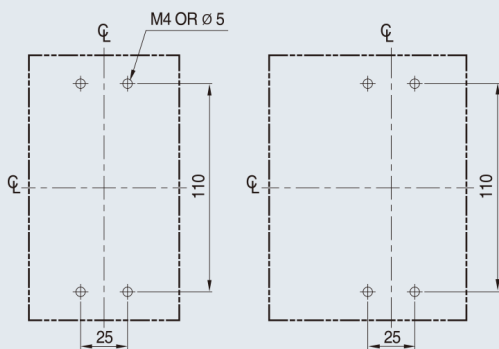
[mm]



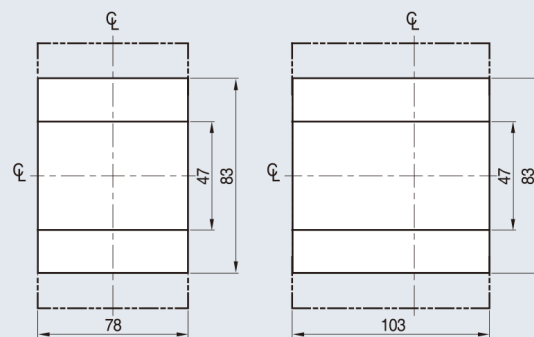
Wire size	Min.	2.5mm <sup>2</sup>
	Max.	70mm <sup>2</sup>
L(mm)		17.5
W(mm)		≤13.5
T(mm)		≤6
Torque		80kgf.cm

LS ELECTRIC

## Panel drilling



## Front panel cutting



---

***LS*** ***ELECTRIC***