

Susol Molded Case Circuit Breaker

TS100N



General

| | |
|-----------------------------|---|
| Product code | 0105011500 |
| Product description | TS100N FMU100 40A 3P EXP |
| Trip Unit | FMU(Adjustable-thermal, Fixed-magnetic) |
| [In] rated current | 40 A at 40 °C |
| Poles description | 3P |
| Protected poles description | 3T |
| Neutral position | - |
| Network type | AC (50/60 Hz), DC |
| Upside connection | Front (screw) |
| Downside connection | Front (screw) |

Characteristics

| | |
|--|-----------------------|
| [Ue] rated operational voltage (AC 50/60 Hz) | 690 V AC |
| [Ue] rated operational voltage (DC) | 500 V DC |
| [Uimp] rated impulse withstand voltage | 8 kV |
| [Ui] rated insulation voltage | 1000 V |
| Mechanical durability | 25000 cycles |
| Electrical durability (AC) | 10000 cycles 415 V In |

| | |
|--|---|
| Electrical durability (DC) | - |
| Utilisation category | Category A |
| Suitability for isolation | Yes |
| Reference standard | IEC 60947-2 |
| [Icu] rated Ultimate short-circuit breaking capacity | 100 kA at 220/240 V AC 50/60 Hz, IEC 60947-2 |
| | 50 kA at 380/415 V AC 50/60 Hz, IEC 60947-2 |
| | 50 kA at 440/460 V AC 50/60 Hz, IEC 60947-2 |
| | 42 kA at 480/500 V AC 50/60 Hz, IEC 60947-2 |
| | 22 kA at 525 V AC 50/60 Hz, IEC 60947-2 |
| | 10 kA at 660/690 V AC 50/60 Hz, IEC 60947-2 |
| | 50 kA at 250 V DC, Reference |
| | 50 kA at 500 V DC (2poles in series), Reference |
| [Ics] rated service breaking capacity | 100 kA at 220/240 V AC 50/60 Hz, IEC 60947-2 |
| | 50 kA at 380/415 V AC 50/60 Hz, IEC 60947-2 |
| | 50 kA at 440/460 V AC 50/60 Hz, IEC 60947-2 |
| | 42 kA at 480/500 V AC 50/60 Hz, IEC 60947-2 |
| | 22 kA at 525 V AC 50/60 Hz, IEC 60947-2 |
| | 5 kA at 660/690 V AC 50/60 Hz, IEC 60947-2 |
| | 50 kA at 250 V DC, Reference |
| | 50 kA at 500 V DC (2poles in series), Reference |
| [Icm] rated short-circuit marking capacity | 220 kA at 220/240 V AC 50/60 Hz, IEC 60947-2 |
| | 105 kA at 380/415 V AC 50/60 Hz, IEC 60947-2 |
| | 105 kA at 440/460 V AC 50/60 Hz, IEC 60947-2 |
| | 88 kA at 480/500 V AC 50/60 Hz, IEC 60947-2 |
| | 46 kA at 525 V AC 50/60 Hz, IEC 60947-2 |
| | 17 kA at 660/690 V AC 50/60 Hz, IEC 60947-2 |
| [Icw] rated short-time | - |
| | - |
| | - |

| | |
|---|--|
| withstand current | - |
| | - |
| Trip unit characteristics | Thermal-magnetic |
| | L : for overload protection (long time) |
| | - |
| | I : for instantaneous short-circuit protection |
| | - |
| | - |
| | - |
| | - |
| [Ir] Long-time pick-up adjustment range | Adjustable, 3 settings |
| | 0.8, 0.9, 1 x In |
| [Iu] Long-time pick-up adjustment range | - |
| | - |
| [tr] Long-time delay adjustment range | - |
| | - |
| [Isd] Short-time pick-up adjustment range | - |
| | - |
| [tsd] Short-time delay adjustment range | - |
| | - |
| | - |
| | - |
| | - |
| | - |
| [Ii] Instantaneous pick-up | Fixed |
| | - |

| | |
|-----------------------------------|--------------|
| Mounting mode | Fixed |
| Mounting support | Backplate |
| Approvals ¹⁾ (General) | CE (Europe) |
| | - |
| | - |
| | CCC (China) |
| | EAC (Russia) |
| | IC (Korea) |
| Approvals (shipping) | LR (U.K) |
| | BV (France) |
| | ABS (U.S.A) |
| | GL (Germany) |
| | DNV (Norway) |
| | RINA (Italy) |
| | KR (Korea) |

1) LS ELECTRIC's standard products are designed for CE.

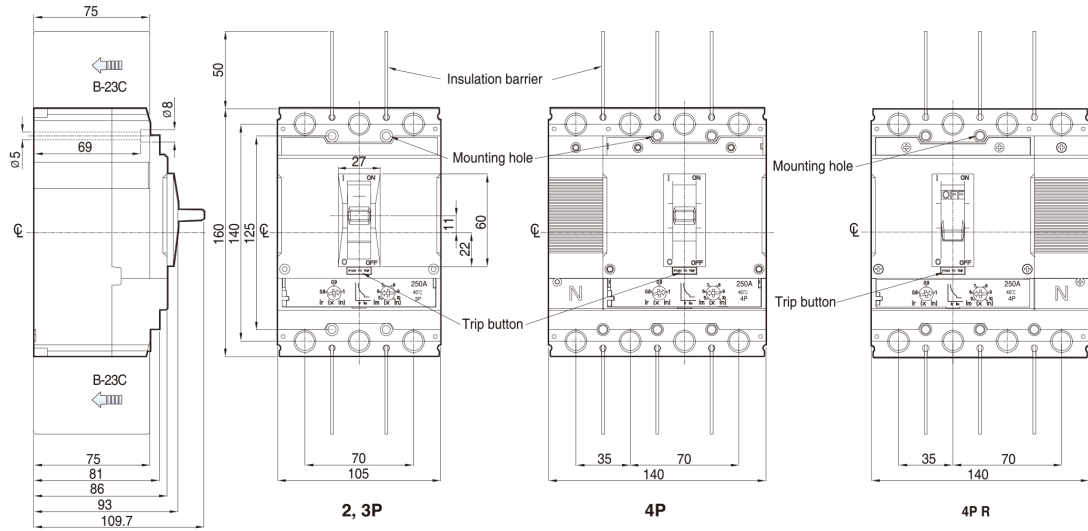
To check the product with regional certificates, please contact LSE sales representatives.

Dimensions

| | | |
|---------|---------------------|---------|
| Product | Width | 105 mm |
| | Height | 160 mm |
| | Depth | 86 mm |
| | Weight | 2 kg |
| Packing | Width | 335 mm |
| | Height | 565 mm |
| | Depth | 132 mm |
| | Weight | 20 kg |
| | Quantity (in a box) | 10 pcs. |

TS100/160/250

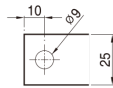
[mm]



Terminal section

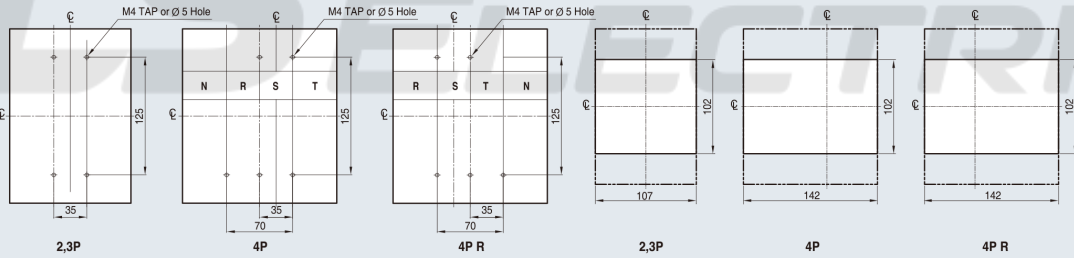


Conductor



Panel drilling

Front panel cutting



LS[→]ELECTRIC