

## Susol Molded Case Circuit Breaker

### TE160S



#### General

|                             |                                         |
|-----------------------------|-----------------------------------------|
| Product code                | 0161004400                              |
| Product description         | TE160S FMU160 160A 3P EXP               |
| Trip Unit                   | FMU(Adjustable-thermal, Fixed-magnetic) |
| [In] rated current          | 160 A at 40 °C                          |
| Poles description           | 3P                                      |
| Protected poles description | 3T                                      |
| Neutral position            | -                                       |
| Network type                | AC (50/60 Hz), DC                       |
| Upside connection           | Front (lug)                             |
| Downside connection         | Front (lug)                             |

#### Characteristics

|                                              |                       |
|----------------------------------------------|-----------------------|
| [Ue] rated operational voltage (AC 50/60 Hz) | 690 V AC              |
| [Ue] rated operational voltage (DC)          | 500 V DC              |
| [Uimp] rated impulse withstand voltage       | 8 kV                  |
| [Ui] rated insulation voltage                | 750 V                 |
| Mechanical durability                        | 25000 cycles          |
| Electrical durability (AC)                   | 10000 cycles 415 V In |

|                                                      |                                                 |
|------------------------------------------------------|-------------------------------------------------|
| Electrical durability (DC)                           | -                                               |
| Utilisation category                                 | Category A                                      |
| Suitability for isolation                            | Yes                                             |
| Reference standard                                   | IEC 60947-2                                     |
| [Icu] rated Ultimate short-circuit breaking capacity | 50 kA at 220/240 V AC 50/60 Hz, IEC 60947-2     |
|                                                      | 37 kA at 380/415 V AC 50/60 Hz, IEC 60947-2     |
|                                                      | 25 kA at 440/460 V AC 50/60 Hz, IEC 60947-2     |
|                                                      | 18 kA at 480/500 V AC 50/60 Hz, IEC 60947-2     |
|                                                      | -                                               |
|                                                      | 6 kA at 660/690 V AC 50/60 Hz, Reference        |
|                                                      | 37 kA at 250 V DC, Reference                    |
|                                                      | 37 kA at 500 V DC (2poles in series), Reference |
| [Ics] rated service breaking capacity                | 50 kA at 220/240 V AC 50/60 Hz, IEC 60947-2     |
|                                                      | 37 kA at 380/415 V AC 50/60 Hz, IEC 60947-2     |
|                                                      | 25 kA at 440/460 V AC 50/60 Hz, IEC 60947-2     |
|                                                      | 18 kA at 480/500 V AC 50/60 Hz, IEC 60947-2     |
|                                                      | -                                               |
|                                                      | -                                               |
|                                                      | 37 kA at 250 V DC, Reference                    |
|                                                      | 37 kA at 500 V DC (2poles in series), Reference |
| [Icm] rated short-circuit marking capacity           | 105 kA at 220/240 V AC 50/60 Hz, IEC 60947-2    |
|                                                      | 77.7 kA at 380/415 V AC 50/60 Hz, IEC 60947-2   |
|                                                      | 52.5 kA at 440/460 V AC 50/60 Hz, IEC 60947-2   |
|                                                      | 36 kA at 480/500 V AC 50/60 Hz, IEC 60947-2     |
|                                                      | -                                               |
|                                                      | 9.2 kA at 660/690 V AC 50/60 Hz, Reference      |
| [Icw] rated short-time                               | -                                               |
|                                                      | -                                               |
|                                                      | -                                               |

|                                           |                                                |
|-------------------------------------------|------------------------------------------------|
| withstand current                         | -                                              |
|                                           | -                                              |
| Trip unit characteristics                 | Thermal-magnetic                               |
|                                           | L : for overload protection (long time)        |
|                                           | -                                              |
|                                           | I : for instantaneous short-circuit protection |
|                                           | -                                              |
|                                           | -                                              |
|                                           | -                                              |
|                                           | -                                              |
| [Ir] Long-time pick-up adjustment range   | Adjustable, 3 settings                         |
|                                           | 0.8, 0.9, 1 x In                               |
| [Iu] Long-time pick-up adjustment range   | -                                              |
|                                           | -                                              |
| [tr] Long-time delay adjustment range     | -                                              |
|                                           | -                                              |
| [Isd] Short-time pick-up adjustment range | -                                              |
|                                           | -                                              |
| [tsd] Short-time delay adjustment range   | -                                              |
|                                           | -                                              |
|                                           | -                                              |
|                                           | -                                              |
|                                           | -                                              |
|                                           | -                                              |
| [Ii] Instantaneous pick-up                | Fixed                                          |
|                                           | -                                              |

|                                                                       |                     |
|-----------------------------------------------------------------------|---------------------|
| adjustment range                                                      | 10 x I <sub>n</sub> |
| [I <sub>g</sub> ] Ground-fault protection pick-up adjustment range    | -                   |
|                                                                       | -                   |
|                                                                       | -                   |
| [t <sub>g</sub> ] Ground-fault protection time delay adjustment range | -                   |
|                                                                       | -                   |
|                                                                       | -                   |
|                                                                       | -                   |
| Earth leakage pick-up adjustment range                                | -                   |
|                                                                       | -                   |
| Earth leakage alarm time delay adjustment range                       | -                   |
|                                                                       | -                   |
| Earth leakage trip time delay adjustment range                        | -                   |
|                                                                       | -                   |
| [I <sub>p</sub> ] Pre-trip alarm pick-up adjustment range             | -                   |
|                                                                       | -                   |
| [t <sub>p</sub> ] Pre-trip alarm time delay adjustment range          | -                   |
|                                                                       | -                   |
| Alarm LED                                                             | -                   |
|                                                                       | -                   |

### Environment

|                                       |                 |
|---------------------------------------|-----------------|
| Pollution degree                      | 3, IEC 60664-1  |
| Degree of protection                  | IP20, IEC 60529 |
| Ambient air temperature for operation | -20...70 °C     |
| Ambient air temperature for storage   | -40...70 °C     |

|                                   |              |
|-----------------------------------|--------------|
| Mounting mode                     | Fixed        |
| Mounting support                  | Backplate    |
| Approvals <sup>1)</sup> (General) | CE (Europe)  |
|                                   | -            |
|                                   | -            |
|                                   | -            |
|                                   | EAC (Russia) |
|                                   | -            |
| Approvals (shipping)              | -            |
|                                   | -            |
|                                   | -            |
|                                   | -            |
|                                   | -            |
|                                   | -            |

1) LS ELECTRIC's standard products are designed for CE.

To check the product with regional certificates, please contact LSE sales representatives.

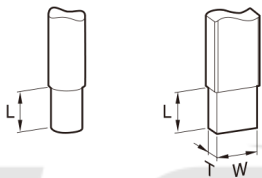
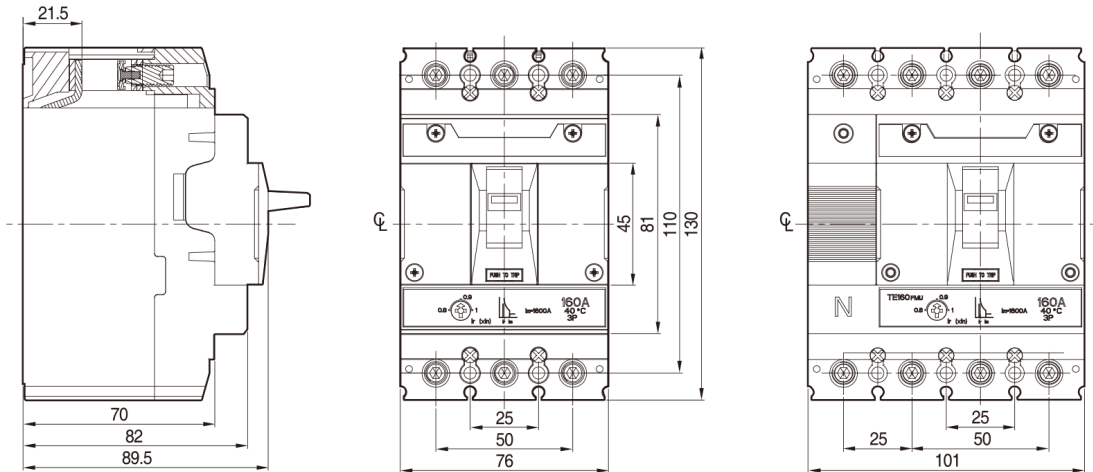


## Dimensions

|         |                     |         |
|---------|---------------------|---------|
| Product | Width               | 76 mm   |
|         | Height              | 130 mm  |
|         | Depth               | 82 mm   |
|         | Weight              | 1.05 kg |
| Packing | Width               | 289 mm  |
|         | Height              | 442 mm  |
|         | Depth               | 120 mm  |
|         | Weight              | 12 kg   |
|         | Quantity (in a box) | 10 pcs. |

# TE100/160

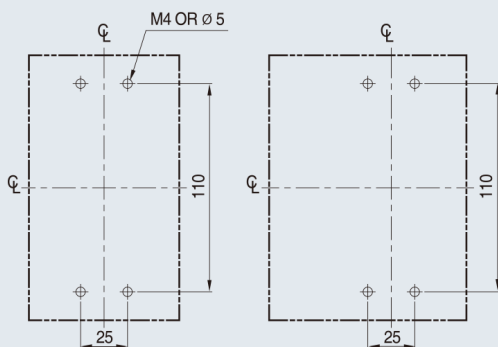
[mm]



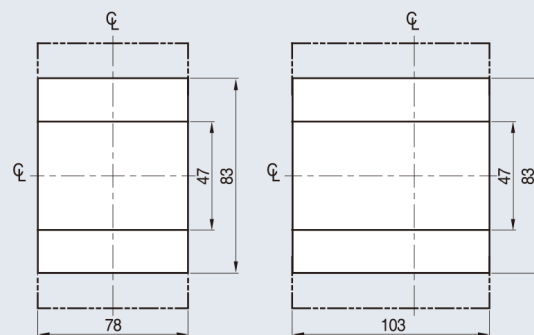
|           |      |                    |
|-----------|------|--------------------|
| Wire size | Min. | 2.5mm <sup>2</sup> |
|           | Max. | 70mm <sup>2</sup>  |
| L(mm)     |      | 17.5               |
| W(mm)     |      | ≤13.5              |
| T(mm)     |      | ≤6                 |
| Torque    |      | 80kgf.cm           |

LS ELECTRIC

## Panel drilling



## Front panel cutting



---

***LS* ELECTRIC**