

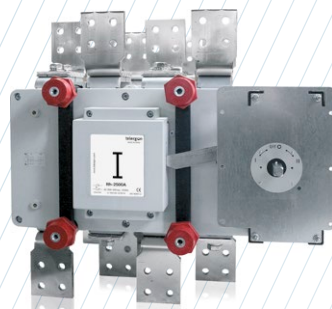
S5F Changeover switch base mounting 3P - 3P+N

Size 5

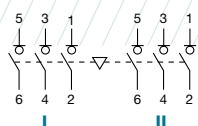
A 2000|2500|3150



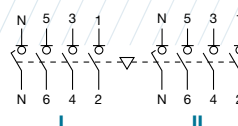
series
S5F



	CODE - 2000A	CODE - 2500A	CODE - 3150A
3P	S5F20003PP0	S5F25003PP0	S5F31503PP0
3P+N	S5F20003NP0	S5F25003NP0	S5F31503NP0



3P



3P+N

Technical information



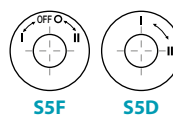
According to IEC 60947-3

				2000	2500	3150
Rated thermal current	I _{th} in ambient at 40° C	A		2000	2500	3150
Rated insulation voltage	U _i	V		1000	1000	1000
Rated impulse withstand voltage	U _{imp}	kV		8	8	8
AC Rated operational current ^{*(1)}	I _e U _e 400V AC21A	A		2000	2500	3150
(Rated operational frequency 50/60 Hz)	U _e 400V AC22B	A		2000	2500	2500

^{*(1)} Other voltages and/or utilization categories; please consult

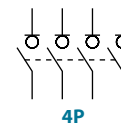
^{*(2)} Without limiting protective device (short - circuit maintained 50 ms. - 100 ms.)

				2000	2500	3150
Rated breaking capacity	400V AC22	A		6000	7500	9450
Rated making capacity	400V AC22	A		6000	7500	9450
Short - circuit behaviour						
Short - circuit making capacity ^{*(2)}	I _{cm}	kA (peak)		100	100	100
Short - time withstand current (1 sec.)	I _{cw}	kA rms		50	50	50
Number of mechanical operations (according to the standards, for other values please consult)		Cycles		600	600	600
Maximum weight (3/4 poles)		Kg		Consult		



S5F

S5D



4P

There are versions of changeover switches without OFF 0 position:

S5F (I +II) = S5D _____, please consult

Also available 4P changeover switches under request, please consult



Accessories



» Direct handle
(Slide bar)
CODE DS-EI61



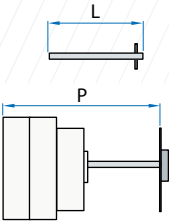
» External handle included shaft^{*(e1)}
(Slide bar)
CODE D5LEN51



» Shafts

Standard shaft included^{*(e1)}
L (mm) P (mm)
333 788... 938

Shaft extensions
Consult



» Auxiliary contacts

1NO+1NC CODE DS-AU11
2NO+2NC CODE DS-AU12

I_e = 16 A (resistive loads)
4 A (inductive loads) at 250 Vac.

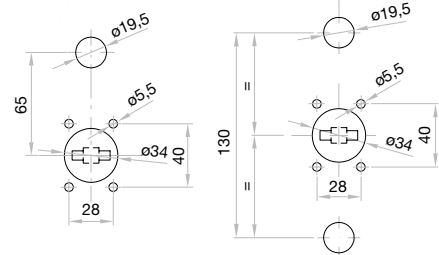


» Safety key lock device

Simple CODE D5LCB41
Double CODE D5LCF41

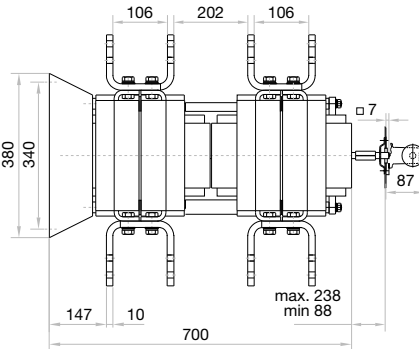
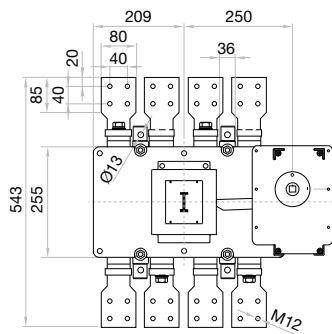
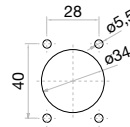
For external handle, lock the handle by means of a key in position "OFF" (under request, in "ON"), the key can only be removed with the handle locked

Door drilling for handle and key lock device
Simple Double

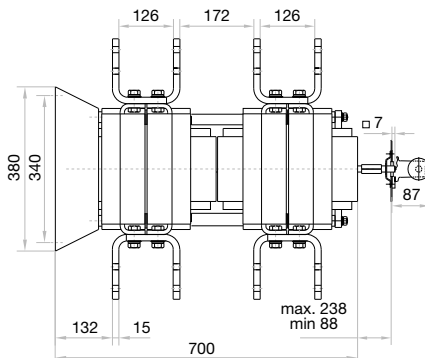
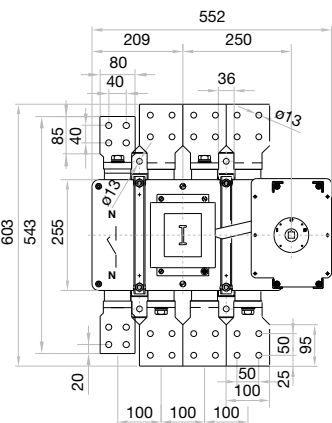
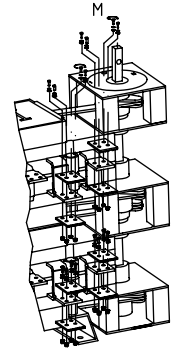


Dimensions (mm)

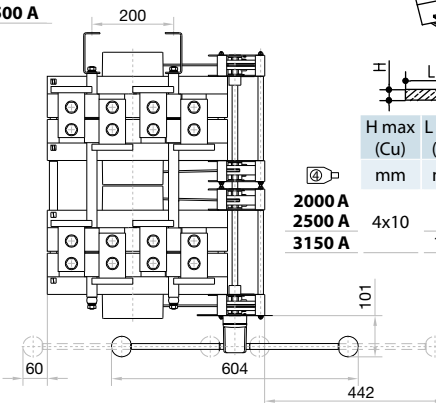
Door drilling for external handle



2000 A
2500 A



3150 A



	H max (Cu) mm	L max (Cu) mm	M	M
2000 A	4x10	80	M12	45
2500 A				
3150 A		100		