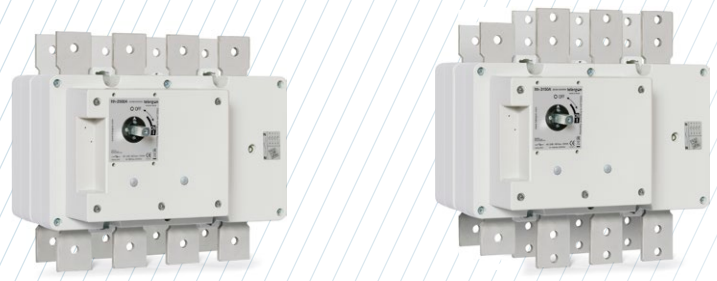


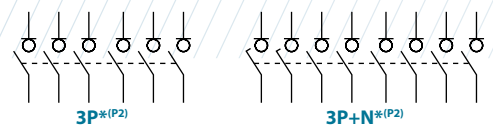
S₅N AC Switch - disconnecter base mounting 3P - 3P+N

series
S5N

Size 5
A 2000|2500|3150



	CODE - 2000A	CODE - 2500A	CODE - 3150A
3P	S5N20003PS0	S5N25003PS0	S5N31503PS0
3P+N	S5N20003NS0	S5N25003NS0	S5N31503NS0



Technical information



According to IEC 60947-3

			2000	2500	3150
Rated thermal current in ambient at	I _{th} 40 °C	A	2000	2500	3150
	50 °C	A	2000	2500	2835
	60 °C	A	2000	2500	2520
Rated insulation voltage	U _i	V	1000	1000	1000
Rated impulse withstand voltage	U _{imp}	kV	12	12	12
AC rated operational current ^{*(1)}	I _e U _e 400V AC21B	A	2000	2500	3150
(Rated operational frequency 50 / 60 Hz)	U _e 400V AC22B	A	2000	2500	2500

^{*(1)} Other voltages and / or utilization categories. Please consult
^{*(2)} Without limiting protective device (short-circuit maintained 50... 100 ms.)

			2000	2500	3150
Rated breaking capacity	400V AC21	A	-	-	4725
	400V AC22	A	6000	7500	-
Rated making capacity	400V AC21	A	-	-	4725
	400V AC22	A	6000	7500	-

Short - circuit behaviour

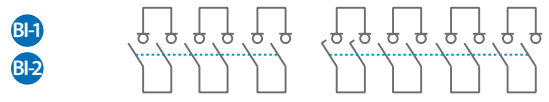
	I _{cm}	kA (peak)	60	60	60
Rated short-circuit making capacity ^{*(2)}					
Rated short-time withstand current (1sec.)	I _{cw}	kA rms	50	50	50

Mechanical features

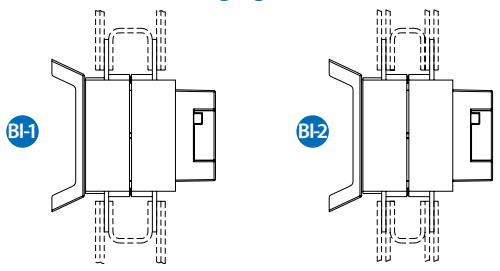
	Cycles	600	600	600
Number of mechanical operations (according to the standards, for other values please consult)				
Maximum weight 3P (without bridging links)	Kg	42,9	42,9	42,9
Maximum weight 3P+N (without bridging links)	Kg	47,3	47,3	47,3

Connection diagram

Connection diagram between front & rear



Bridging links ^{*(P2)}



Accessories



» Direct handle

CODE DS-LI41



» External handle included shaft*(e1)

IP65
CODE DS-LA41



» External handle without shaft

IP65
CODE DS-LA43



» Emergency external handle included shaft*(e1)

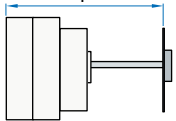
IP65
CODE DS-LR41



» Shafts

Standard shaft included *(e1)

L (mm)	P (mm)
239	458 ... 618



» Bridging links*(P2)

- BI-1 2000 A CODE x2 D5LPC41 (4 units)
2500 A
- BI-2 3150 A CODE x2 D5LPC42 (4 units)
CONSULT CODE

*(P2) To comply with the operation and electrical features, the bridging links must be assembled to the switch. Please consult.



» Auxiliary contacts

- 1NO+1NC CODE DS-LA101
- 2NO+2NC CODE DS-LA102

Ie = 16 A (resistive loads)
4 A (inductive loads) at 250 Vac.

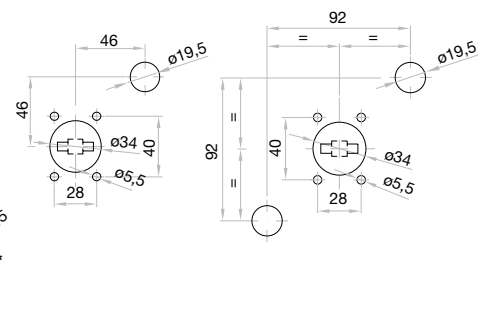


» Safety key lock devices

- Simple CODE DS-CB41
- Double CODE DS-CF41

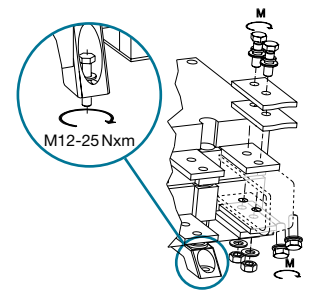
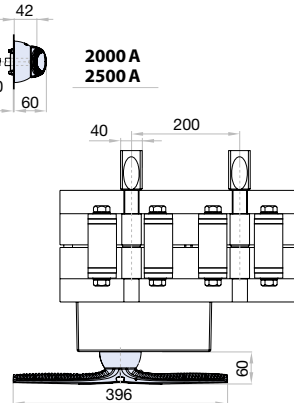
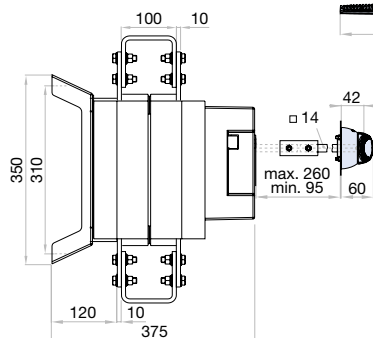
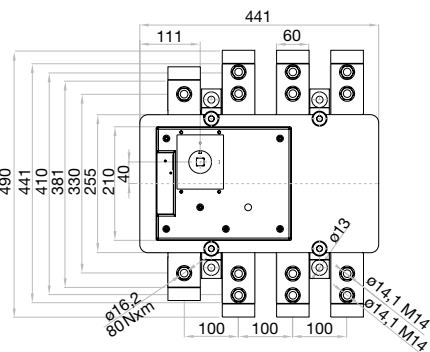
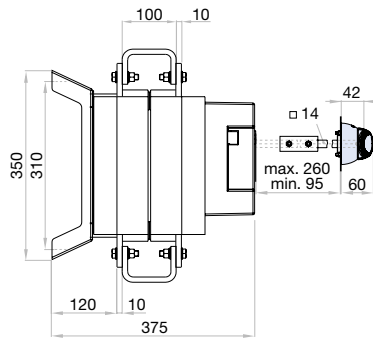
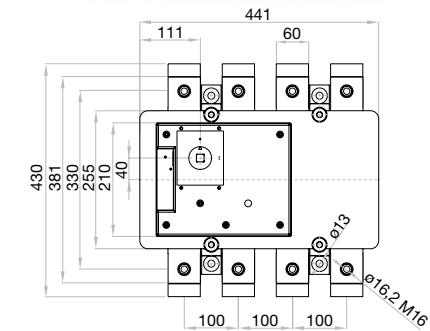
For external handle, lock the handle by means of a key in position "OFF" (under request, in "ON"), the key can only be removed with the handle locked

Door drilling for handle and key lock device



Dimensions (mm)

Door drilling for external handle



	H max (Cu) mm	L max (Cu) mm	M	M
2000 A / 2500 A	2x10	80	M16	80
3150 A	2x10	80	M14	55