

S5N AC Switch - disconnecter base mounting 3P - 3P+N

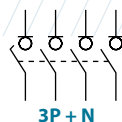
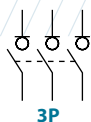
series
S5N

Size 5

A 2000|2500|3150



	CODE-2000A	CODE-2500A	CODE-3150A
3P	S5N20003PP0	S5N25003PP0	S5N31503PP0
3P + N	S5N20003NP0	S5N25003NP0	S5N31503NP0



Technical information



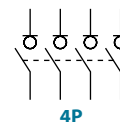
According to IEC 60947-3

				2000	2500	3150
Rated thermal current in ambient at	Ith	40 °C	A	2000	2500	3150
		50 °C	A	2000	2500	2835
		60 °C	A	2000	2500	2520
Rated insulation voltage	Ui	V	1000	1000	1000	
Rated impulse withstand voltage	Uimp	kV	12	12	12	
AC rated operational current ^{*(1)}	Ie	Ue 400V AC21B	A	2000	2500	3150
		Ue 400V AC22B	A	2000	2500	2500

^{*(1)} Other voltages and / or utilization categories. Please consult

^{*(2)} Without limiting protective device (short-circuit maintained 50... 100 ms.)

				2000	2500	3150
Rated breaking capacity		400V AC21	A	-	-	4725
		400V AC22	A	6000	7500	-
Rated making capacity		400V AC21	A	-	-	4725
		400V AC22	A	6000	7500	-
Short - circuit behaviour						
Rated short-circuit making capacity ^{*(2)}	Icm	kA (peak)		60	60	60
Rated short-time withstand current (1sec.)	Icw	kA rms		50	50	50
Mechanical features						
Number of mechanical operations (according to the standards, for other values please consult)		Cycles		600	600	600
Maximum weight 3P (without bridging links)		Kg		42,9	42,9	42,9
Maximum weight 3P+N (without bridging links)		Kg		47,3	47,3	47,3



Also available 4P switch - disconnecter under request, please consult



Accessories



» Direct handle

CODE DS-LI41



» External handle included shaft ^{*(e1)}

IP65

CODE DS-LA41



» External handle without shaft

IP65

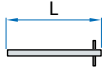
CODE DS-LA43



» Emergency external handle included shaft ^{*(e1)}

IP65

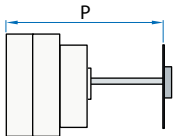
CODE DS-LR41



» Shafts

Standard shaft included ^{*(e1)}

L (mm)	P (mm)
239	458 ... 618



» Auxiliary contacts

1NO+1NC CODE D5LAU01
2NO+2NC CODE D5LAU02

Ie = 16 A (resistive loads)
4 A (inductive loads) at 250 Vac.

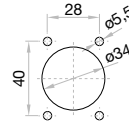
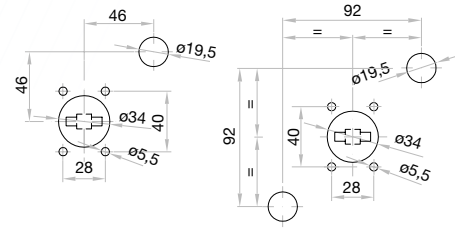


» Safety key lock device

Simple CODE DS-CB41
Double CODE DS-CF41

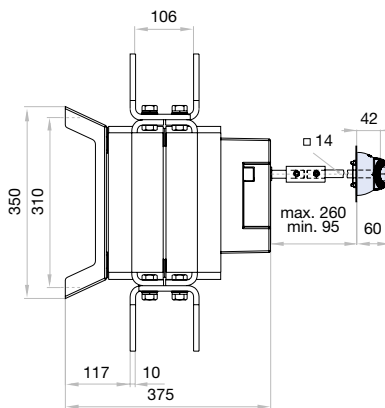
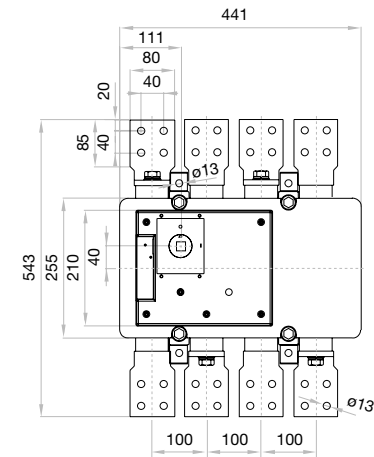
For external handle, lock the handle by means of a key in position "OFF" (under request, in "ON"), the key can only be removed with the handle locked

Door drilling for handle and key lock device
Simple Double

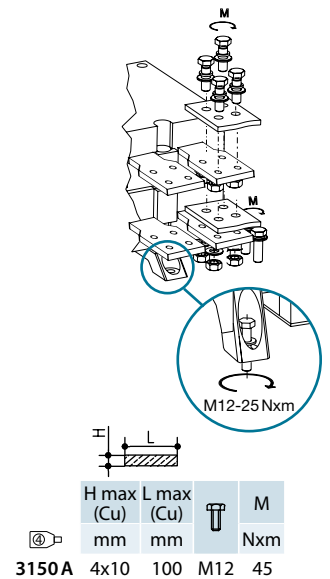
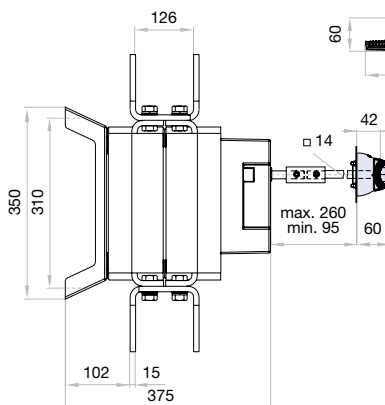
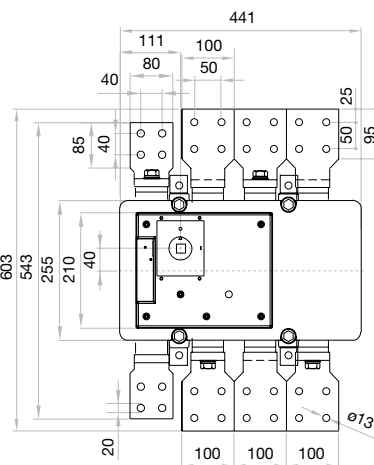


Dimensions (mm)

Door drilling for external handle



	H max (Cu) mm	L max (Cu) mm	M	M
2000 A	4x10	80	M12	45
2500 A				



	H max (Cu) mm	L max (Cu) mm	M	M
3150 A	4x10	100	M12	45