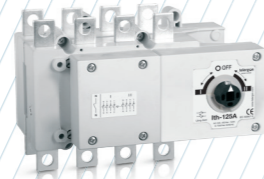
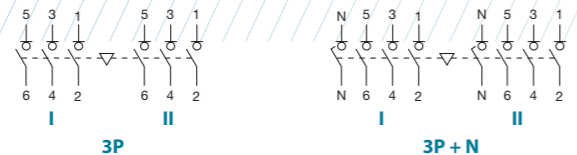


S5F Changeover switch base mounting 3P - 3P+N

Size 0
A 125|160|200



3P	CODE-125A	CODE-160A	CODE-200A
	S5F01253PS0	S5F01603PS0	S5F02003PS0
3P+N	S5F01253NS0	S5F01603NS0	S5F02003NS0



Accessories

- Direct handle**
CODE D5LSI01
- External handle** included shaft*(e1)
IP65
CODE D5LLA01
- Shafts**
Standard shaft included *(e1)

L (mm)	P (mm)	CODE
177	163... 250,5	

Shaft extensions
Type 1

L (mm)	P (mm)	CODE
250	163... 323,5	DS-EP04

Type 2

L (mm)	P (mm)	CODE
387	163... 460,5	DS-EP05
- Auxiliary contacts**
1NO+1NC CODE S5F DS-AU11
2NO+2NC CODE S5F DS-AU12
 Ie = 16 A (resistive loads)
 4 A (inductive loads) at 250 Vac.

- Terminal shrouds*(f1)**

UP 3P (1 unit)	DOWN 3P (1 unit)	UP OR DOWN 4P (1 unit)
DS-CU02	DS-CU03	DS-CU04
DS-CU05	DS-CU06	DS-CU07

 (Only frontal side)
- Phase barrier*(f1)**

3P	4P
DS-PB01	DS-PB02
DS-PB04	DS-PB03

 (1 kit for input or output)
 *(f1) These accessories aren't compatible with each other
- Bridging links**
CODE D5LPC03 (4 units)
- Safety key lock devices**
Simple CODE D5LCBB1
Double CODE D5LCFB1
 For external handle, lock the handle by means of a key in position "OFF" (under request, in "ON"), the key can only be removed with the handle locked.

Technical information

According to IEC 60947-3



	125	160	200
Rated thermal current I _{th} in ambient at 40° C	A 125	A 160	A 200
Rated insulation voltage U _i	V 1000	V 1000	V 1000
Rated impulse withstand voltage U _{imp}	kV 8	kV 8	kV 8
AC Rated operational current ^(e1) (Rated operational frequency 50/60 Hz)	Ie Ue 400V AC21A A 125	Ie Ue 400V AC22A A 160	Ie Ue 400V AC23A A 200

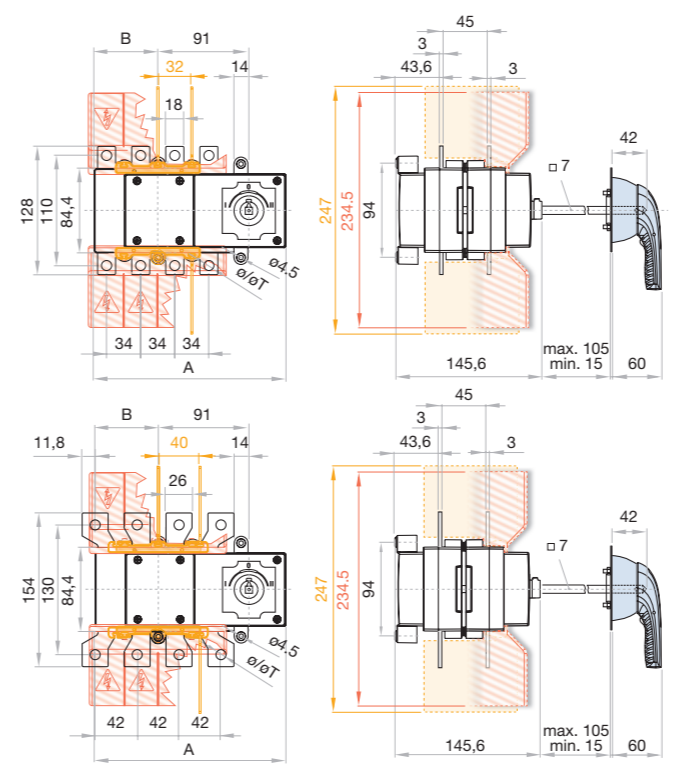
	125	160	200
Rated breaking capacity 400V AC22	A 375	A 480	A 600
Rated making capacity 400V AC22	A 375	A 480	A 600
Short - circuit behaviour			
Short - circuit making capacity ^(e2) I _{cm}	kA (peak) 13	kA (peak) 13	kA (peak) 13
Short - time withstand current (1 sec.) I _{cw}	kA rms 7	kA rms 7	kA rms 7
Number of mechanical operations (according to the standards, for other values please consult)	Cycles 8000	Cycles 8000	Cycles 8000
Maximum weight (3/4 poles)	Kg 1,8/2,1	Kg 1,8/2,1	Kg 1,9/2,2

^(e1) Other voltages and / or utilization categories. Please consult
^(e2) Without limiting protective device (short-circuit maintained 50 ms. - 100 ms.)

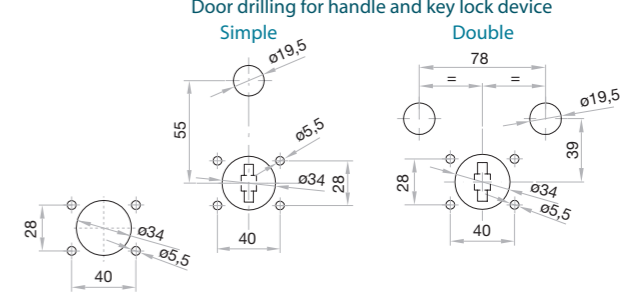


There are versions of changeover switches without OFF 0 position: **S5F (I - II) = S5D** _____, please consult
 Also available 4P changeover switches under request, please consult

Dimensions (mm)



Door drilling for external handle



	A		B		ø T	S max (Cu) mm ²	H max (Cu) mm	L max (Cu) mm	M
	3P	4P	3P	4P					
125 A	181	192	53	64	10	95	5	25	M8
160 A	181	192	53	64	10	95	5	25	M8

	A		B		ø T	S max (Cu) mm ²	H max (Cu) mm	L max (Cu) mm	M
	3P	4P	3P	4P					
200 A	181	192	53	64	10	120	5	30	M10

