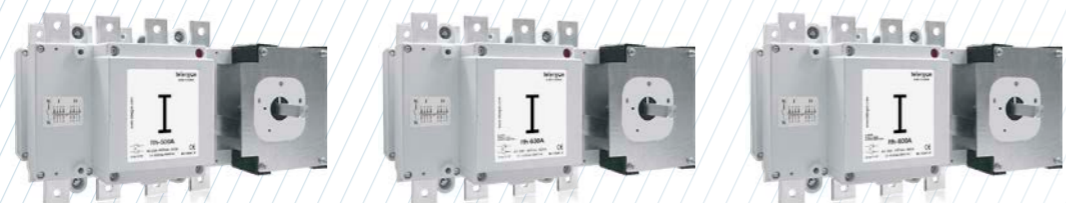




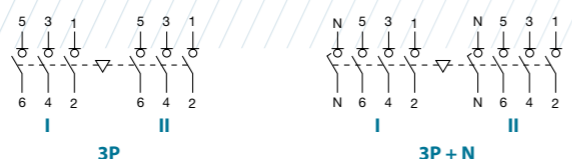
S5F Changeover switch base mounting 3P - 3P+N

Size 2
A 500|630|800



CODE-500A CODE-630A CODE-800A

3P S5F05003PRO S5F06303PRO S5F08003PCO
3P+N S5F05003NR0 S5F06303NR0 S5F08003NC0



Accessories

- Direct handle**
CODE D5LLI22
- External handle** included shaft^{*(e1)}
IP65
CODE D5LLA21
- Terminal protection**
CODE DS-CU21
 (1 unit for input or output)
- Shafts**
Standard shaft included ^{*(e1)}
L (mm) | P (mm) |
239 | 342... 494 |
Shaft extension
L (mm) | P (mm) | CODE
345 | 342... 600 | DS-EP23
- Bridging links**
CODE D5LPC22 (4 units)
- Auxiliary contacts**
1NO+1NC CODE DS-AU11
2NO+2NC CODE DS-AU12
Ie = 16 A (resistive loads)
4 A (inductive loads) at 250 Vac.

Technical information



According to IEC 60947-3

			500	630	800
Rated thermal current I _{th} in ambient at 40° C	A		500	630	800
Rated insulation voltage U _i	V		1000	1000	1000
Rated impulse withstand voltage U _{imp}	kV		12	12	12
AC Rated operational current ^{*(1)} (Rated operational frequency 50/60 Hz)	I _e U _e 400V AC21A	A	500	630	800
	U _e 400V AC22A	A	500	630	800
	U _e 400V AC23A	A	500	630	800

			500	630	800
Rated breaking capacity	400V AC23	A	4000	5000	6400
Rated making capacity	400V AC23	A	5000	6300	8000
Short - circuit behaviour					
Short - circuit making capacity ^{*(2)} I _{cm}	kA (peak)		26	26	26
Short - time withstand current (1 sec.) I _{cw}	kA rms		16	16	16
Number of mechanical operations (according to the standards, for other values please consult)	Cycles		5000	5000	3000
Maximum weight (3/4 poles)	Kg		12,3/13	12,3/13	12,3/13

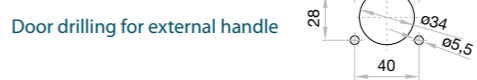
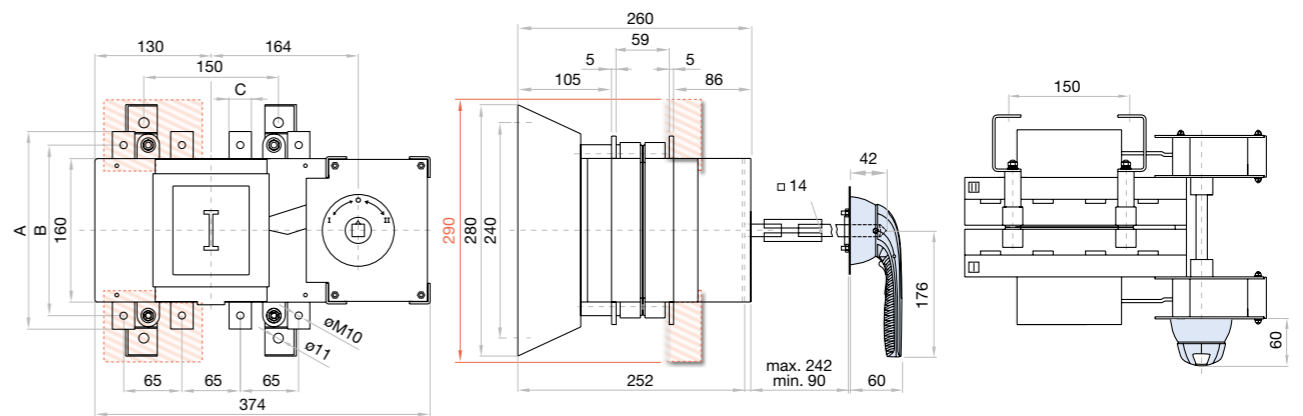
^{*(1)} Other voltages and / or utilization categories. Please consult
^{*(2)} Without limiting protective device (short-circuit maintained 50 ms. - 100 ms.)



There are versions of changeover switches without OFF 0 position: **SSF (I - II) = SSD**..... please consult

Also available 4P changeover switches under request, please consult

Dimensions (mm)



	A	B	C	S max (Cu) mm ²	H max (Cu) mm	L max (Cu) mm	T	M
500 A	220	190	25	2x185	6	40		
630 A	236	206	30	2x240	2x5	40	M10	24
800 A						50		

