

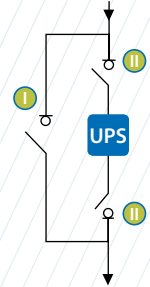
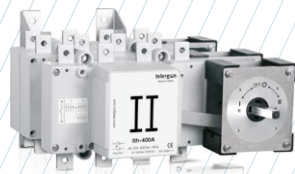
S5B Bypass changeover switch base mounting 3P - 3P+N

Size 1

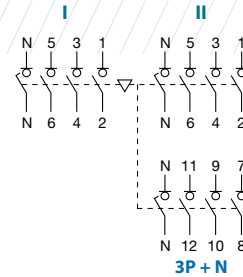
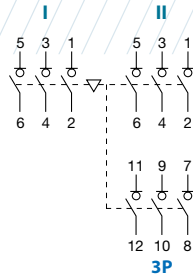
A 250|315|400



series
S5B



	CODE-250A	CODE-315A	CODE-400A
3P	S5B02503PR0	S5B03153PR0	S5B04003PC0
3P+N	S5B02503NR0	S5B03153NR0	S5B04003NC0



Technical information



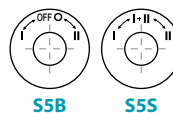
According to IEC 60947-3

				250	315	400
Rated thermal current	I _{th} in ambient at 40° C	A		250	315	400
Rated insulation voltage	U _i	V		1000	1000	1000
Rated impulse withstand voltage	U _{imp}	kV		8	8	8
AC Rated operational current ^{*(1)}	I _e U _e 400V AC21A	A		250	315	400
(Rated operational frequency 50/60 Hz)	U _e 400V AC22A	A		250	315	400

^{*(1)} Other voltages and/or utilization categories; please consult

^{*(2)} Without limiting protective device (short - circuit maintained 50 ms. - 100 ms.)

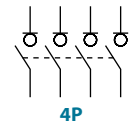
				250	315	400
Rated breaking capacity	400V AC22	A		750	945	1200
Rated making capacity	400V AC22	A		750	945	1200
Short - circuit behaviour						
Short - circuit making capacity ^{*(2)}	I _{cm}	kA (peak)		20	20	20
Short - time withstand current (1 sec.)	I _{cw}	kA rms		12	12	12
Number of mechanical operations (according to the standards, for other values please consult)	Cycles			8000	8000	5000
Maximum weight (3/4 poles)		Kg		7,2/7,7	7,2/7,7	7,4/7,9



S5B



S5S



4P

There are versions of bypass changeover without OFF 0 position "overlapped contacts":

S5B (I - I + II - II) = S5S _____, please consult

Also available 4P changeover switches under request, please consult



Accessories



» Direct handle

CODE D5LLI12



» Terminal protection

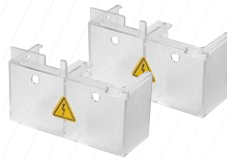
CODE DS-CU12

(1 unit for input or output only front side)



» External handle included shaft^{*(e1)}

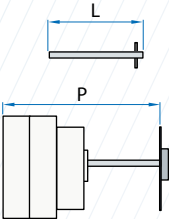
IP65
CODE D5LLA11



» Terminal shrouds

CODE DS-CU11

(1 kit for input or output only front side)



» Shafts

Standard shaft included^{*(e1)}

L (mm) | P (mm)
227 | 382... 516



» Safety key lock device

Simple CODE D5LCB11

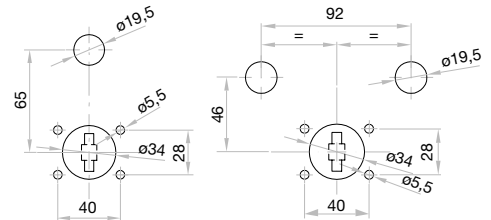
Double CODE D5LCF11

For external handle, lock the handle by means of a key in position "OFF" (under request, in "ON"), the key can only be removed with the handle locked

Door drilling for handle and key lock device

Simple

Double



» Auxiliary contacts

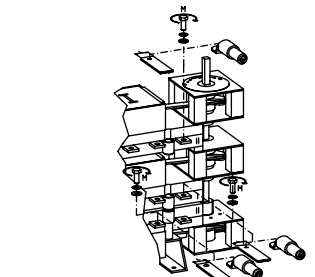
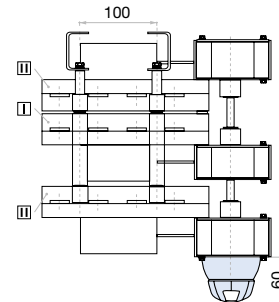
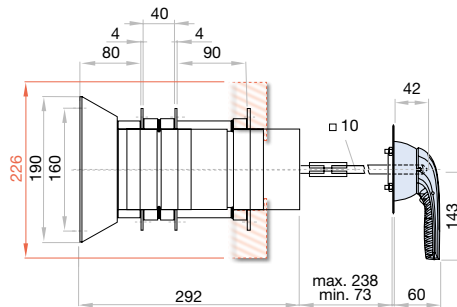
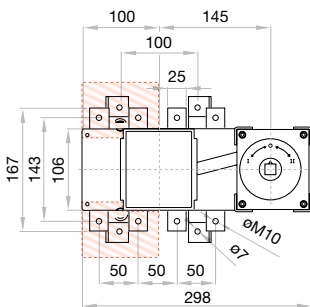
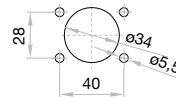
1NO+1NC CODE DS-AU11

2NO+2NC CODE DS-AU12

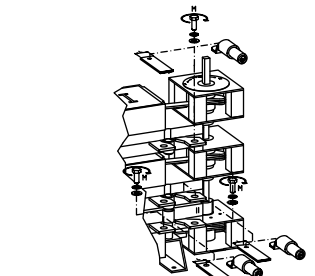
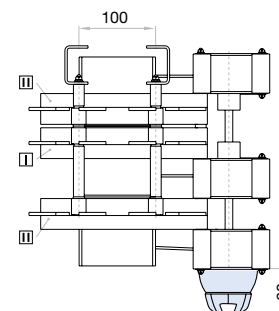
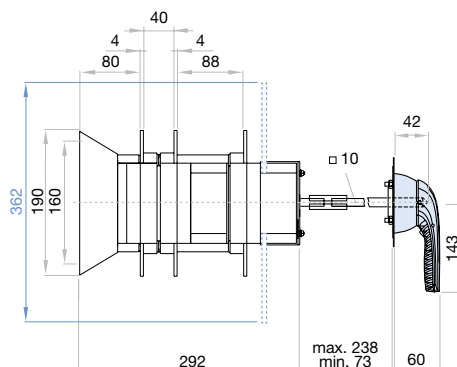
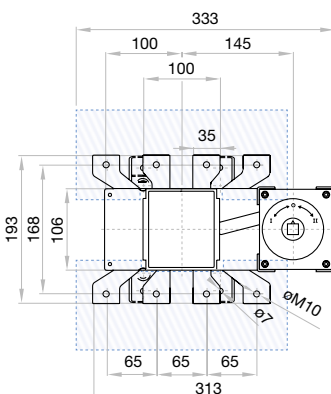
Ie = 16 A (resistive loads)
4 A (inductive loads) at 250 Vac.

Dimensions (mm)

Door drilling for external handle



S max (Cu)	H max (Cu)	L max (Cu)	T	M
mm ²	mm	mm		Nxm
250 A	185	7	25	M10 18
315 A				



S max (Cu)	H max (Cu)	L max (Cu)	T	M
mm ²	mm	mm		Nxm
400 A	240	7	40	M10 24