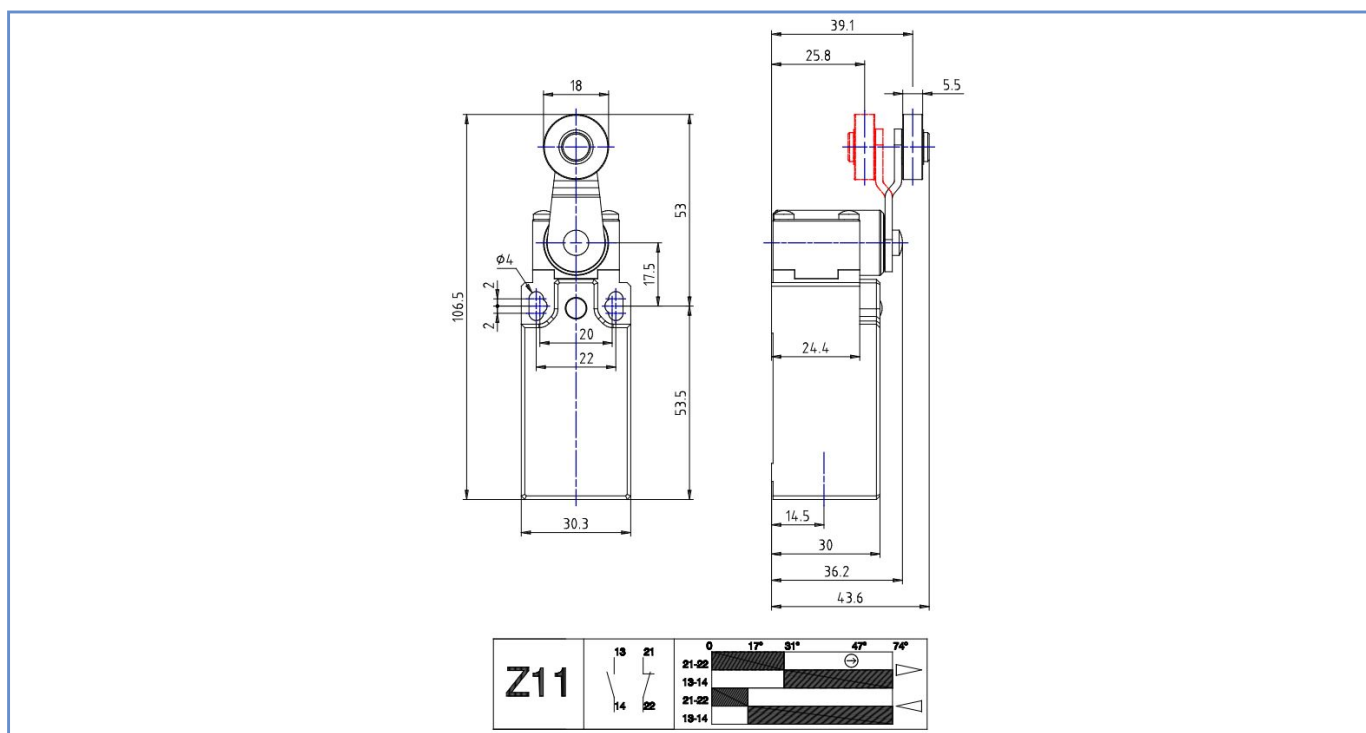


ОПИС ПРОДУКТУ:

A _ 41

КОД ТОВАРУ:

A 3 41Z11



СТАТИЧНИЙ 3D-ВИГЛЯД



ДЕТАЛІ:

| | |
|--|---------------------------------|
| | A 3 41Z11 |
| | |
| [] | 30 |
| , | PG11 |
| IP | IP65 |
| | ($\varnothing 18$) |
| | (1 + 1) |
| | IMQ - cULus - CCC - CSA - EAC |
| | LVD - 2014/35/ |
| | IEC 60947-5-1 / EN 60947-5-1 |
| [°C] | - 25°C ... +70°C |
| [°C] | -30°C ... +80°C |
| (IEC 60536) [] | Class - |
| Ui [] | 500 |
| | 3 |
| UL50 | A600 - Q600 |
| Uimp [] | 6 |
| Ith [A (| 10 |
| [A (Ue)] | 10 |
| Ie - AC-15 (50-60) [Secondo IEC 60947-5-1] | 24 - 10 / 120 - 6 / 400 - 4 |
| DC-13 [Secondo IEC 60947-5-1] | 24 - 6 / 125 - 0,55 / 250 - 0,4 |
| [Cicli/ora] | 3600 |
| [] | 25 |
| | M3.5 (+,-) pozidriv 2 |
| [] | 0,75 ... 2,5 |
| | / |
| | IEC 60947-5-1 |
| [] | 10 |
| B10d [] | 20 |

