

INSTALLATION CONTACTORS - UP TO 40 A

AC-1 acc. to IEC/EN 60947-4-1 (4-pole, 2 modules)

Type	Rated current I _e	Control voltage at 50/60 Hz	Wiring diagram	Ordering No.	Weight (g)	Packaging (pcs)
IKA416-40	16 A	230 V		30.047.496	230	3
IKA416-40	16 A	24 V		30.047.497	230	
IKA25-40	25 A	230 V		30.046.007	230	
IKA25-40	25 A	24 V		30.046.027	230	
IKA432-40	32 A	230 V		30.046.849	230	
IKA432-40	32 A	24 V		30.046.850	230	
IKA416-31	16 A	230 V		30.047.498	230	3
IKA416-31	16 A	24 V		30.047.499	230	
IKA25-31	25 A	230 V		30.046.013	230	
IKA25-31	25 A	24 V		30.046.028	230	
IKA432-31	32 A	230 V		30.046.851	230	
IKA432-31	32 A	24 V		30.046.852	230	
IKA416-30	16 A	230 V		30.047.500	225	3
IKA416-30	16 A	24 V		30.047.501	225	
IKA25-30	25 A	230 V		30.046.282	225	
IKA25-30	25 A	24 V		30.046.853	225	
IKA432-30	32 A	230 V		30.046.854	225	
IKA432-30	32 A	24 V		30.046.855	225	
IKA416-22	16 A	230 V		30.047.502	230	3
IKA416-22	16 A	24 V		30.047.503	230	
IKA25-22	25 A	230 V		30.046.014	230	
IKA25-22	25 A	24 V		30.046.029	230	
IKA432-22	32 A	230 V		30.046.856	230	
IKA432-22	32 A	24 V		30.046.857	230	
IKA416-04	16 A	230 V		30.047.504	230	3
IKA416-04	16 A	24 V		30.047.505	230	
IKA25-04	25 A	230 V		30.046.015	230	
IKA25-04	25 A	24 V		30.046.030	230	
IKA432-04	32 A	230 V		30.046.858	230	
IKA432-04	32 A	24 V		30.046.859	230	

Other control voltages are on request - define type and voltage

AC-1 acc. to IEC/EN 60947-4-1 (2-pole, 2 modules)

Type	Rated current I _e	Control voltage at 50/60 Hz	Wiring diagram	Ordering No.	Weight (g)	Packaging (pcs)
IKA240-2P	40 A	230 V		30.047.735	220	3
IKA240-2P	40 A	24 V		30.047.811	220	3

AC-1 acc. to IEC/EN 60947-4-1 (2-pole, 2 modules)

Type	Rated current I _e	Control voltage	Wiring diagram	Ordering No.	Weight (g)	Packaging (pcs)
IKD240-2P	40 A	230 V AC		30.047.812	220	3
		220 V DC				
IKD240-2P	40 A	24 V AC/DC		30.047.813	220	3



3

ORDERING DATA

INSTALLATION CONTACTORS - UP TO 63 A (2-POLE)

AC-1 acc. to IEC/EN 60947-4-1 (2-pole, 2 module)

Type	Rated current I _e	Control voltage at 50/60 Hz	Wiring diagram	Ordering No.	Weight (g)	Packaging (pcs)
IKA240-20	40 A	230 V		30.120.207	245	3
IKA240-20	40 A	24 V		30.120.204	245	
IKA263-20	63 A	230 V		30.120.257	245	3
IKA263-20	63 A	24 V		30.120.254	245	
IKA240-11	40 A	230 V		30.120.217	245	3
IKA240-11	40 A	24 V		30.120.214	245	
IKA263-11	63 A	230 V		30.120.267	245	3
IKA263-11	63 A	24 V		30.120.264	245	
IKA240-10	40 A	230 V		30.120.222	245	3
IKA240-10	40 A	24 V		30.120.219	245	
IKA263-10	63 A	230 V		30.120.272	245	3
IKA263-10	63 A	24 V		30.120.269	245	
IKA240-01	40 A	230 V		30.120.227	245	3
IKA240-01	40 A	24 V		30.120.224	245	
IKA263-01	63 A	230 V		30.120.277	245	3
IKA263-01	63 A	24 V		30.120.274	245	
IKA240-02	40 A	230 V		30.120.212	245	3
IKA240-02	40 A	24 V		30.120.209	245	
IKA263-02	63 A	230 V		30.120.262	245	3
IKA263-02	63 A	24 V		30.120.259	245	

AC



3

AC-1 acc. to IEC/EN 60947-4-1 (2-pole, 2 module)

Type	Rated current I _e	Control voltage at 50/60 Hz	Wiring diagram	Ordering No.	Weight (g)	Packaging (pcs)
IKD240-20	40 A	230 V AC		30.120.307	270	3
IKD240-20		220 V DC		30.120.304	270	
IKD263-20	63 A	230 V AC		30.120.357	270	3
IKD263-20		220 V DC		30.120.354	270	
IKD240-11	40 A	230 V AC		30.120.317	270	3
IKD240-11		220 V DC		30.120.314	270	
IKD263-11	63 A	230 V AC		30.120.367	270	3
IKD263-11		220 V DC		30.120.364	270	
IKD240-10	40 A	230 V AC		30.120.322	270	3
IKD240-10		220 V DC		30.120.319	270	
IKD263-10	63 A	230 V AC		30.120.372	270	3
IKD263-10		220 V DC		30.120.369	270	
IKD240-01	40 A	230 V AC		30.120.327	270	3
IKD240-01		220 V DC		30.120.324	270	
IKD263-01	63 A	230 V AC		30.120.377	270	3
IKD263-01		220 V DC		30.120.374	270	
IKD240-02	40 A	230 V AC		30.120.312	270	3
IKD240-02		220 V DC		30.120.309	270	
IKD263-02	63 A	230 V AC		30.120.362	270	3
IKD263-02		220 V DC		30.120.359	270	

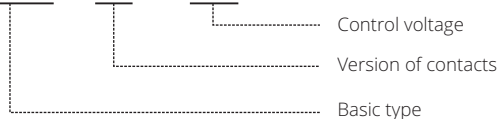
AC/DC



ORDERING DATA

ORDERING DATA

IKA240 - 20 / 24 V



INSTALLATION CONTACTORS - UP TO 63 A (2-POLE)

WITH MANUAL CONTROL

AC-1 acc. to IEC/EN 60947-4-1 (2-pole, 2 module)

Type	Rated current I _e	Control voltage at 50/60 Hz	Wiring diagram	Ordering No.	Weight (g)	Packaging (pcs)
IKA240-20-R	40 A	230 V		30.120.232	245	3
IKA240-20-R	40 A	24 V		30.120.229	245	
IKA263-20-R	63 A	230 V		30.120.282	245	3
IKA263-20-R	63 A	24 V		30.120.279	245	
IKA240-11-R	40 A	230 V		30.120.242	245	3
IKA240-11-R	40 A	24 V		30.120.239	245	
IKA263-11-R	63 A	230 V		30.120.292	245	3
IKA263-11-R	63 A	24 V		30.120.289	245	
IKA240-10-R	40 A	230 V		30.120.247	245	3
IKA240-10-R	40 A	24 V		30.120.244	245	
IKA263-10-R	63 A	230 V		30.120.297	245	3
IKA263-10-R	63 A	24 V		30.120.294	245	
IKA240-01-R	40 A	230 V		30.120.252	245	3
IKA240-01-R	40 A	24 V		30.120.249	245	
IKA263-01-R	63 A	230 V		30.120.302	245	3
IKA263-01-R	63 A	24 V		30.120.299	245	
IKA240-02-R	40 A	230 V		30.120.237	245	3
IKA240-02-R	40 A	24 V		30.120.234	245	
IKA263-02-R	63 A	230 V		30.120.287	245	3
IKA263-02-R	63 A	24 V		30.120.284	245	

AC



3

AC-1 acc. to IEC/EN 60947-4-1 (2-pole, 2 module)

Type	Rated current I _e	Control voltage at 50/60 Hz	Wiring diagram	Ordering No.	Weight (g)	Packaging (pcs)
IKD240-20-R	40 A	230 V AC		30.120.332	270	3
IKD240-20-R		220 V DC		30.120.329	270	
IKD263-20-R	63 A	230 V AC		30.120.382	270	3
IKD263-20-R		220 V DC		30.120.379	270	
IKD240-11-R	40 A	230 V AC		30.120.342	270	3
IKD240-11-R		220 V DC		30.120.339	270	
IKD263-11-R	63 A	230 V AC		30.120.392	270	3
IKD263-11-R		220 V DC		30.120.389	270	
IKD240-10-R	40 A	230 V AC		30.120.347	270	3
IKD240-10-R		220 V DC		30.120.344	270	
IKD263-10-R	63 A	230 V AC		30.120.397	270	3
IKD263-10-R		220 V DC		30.120.394	270	
IKD240-01-R	40 A	230 V AC		30.120.352	270	3
IKD240-01-R		220 V DC		30.120.349	270	
IKD263-01-R	63 A	230 V AC		30.120.402	270	3
IKD263-01-R		220 V DC		30.120.399	270	
IKD240-02-R	40 A	230 V AC		30.120.337	270	3
IKD240-02-R		220 V DC		30.120.334	270	
IKD263-02-R	63 A	230 V AC		30.120.387	270	3
IKD263-02-R		220 V DC		30.120.384	270	

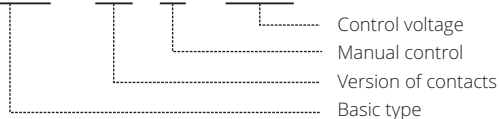
AC/DC



ORDERING DATA

ORDERING DATA

IKA240 - 20 - R / 230 V



INSTALLATION CONTACTORS - 40 A

	Symbol	Unit	IKA140-1P	IKD140-1P	IKA240-2P	IKD240-2P
GENERAL	Type					
	Standards		IEC/EN 61095, IEC/EN 60947-4-1			
	Approvals		CE			
	Module width		1		2	
	Ambient temperature (open)	°C		-15 ... +55		
	Storage temperature	°C		-40 ... +80		
	Number of contactors side-by-side					
	≤40 °C		max.3	max.3	max.3	max.3
	(40 ... 55) °C		max.2	max.2	max.2	max.2
	Maximum operating frequency					
	AC-1/AC-7a	op. c.	600			
	No load		3000			
	Mechanical endurance	op. c.	3.000.000	3.000.000	10.000.000	10.000.000
	Weight	g	130	130	230	230
MAIN CIRCUIT	Contact reliability		≥17 V; ≥50 mA			
	Minimum distance of open contacts	mm	3.6			
	Power dissipation per pole	W	2.5			
	Overload current withstand capability: 10 s	A	72			
	Maximum back-up fuse for short-circuit protection gL and gG: coordination type 1	I _v A	40			
	Rated insulation voltage	U _i V	440			
	Rated impulse withstand voltage	U _{imp} kV	4			
	Rated operational voltage	U _e V	230		400	
	Rated frequency	f Hz	50/60			
	Thermal current	I _{th} A	40		40	
	Rated operational current for AC-1/AC-7a	I _e A	40		40	
	Operational power for AC-1/AC-7a: single-phase 230 V	P _e kW	9		9	
	Electrical endurance for AC-1/AC-7a	op. c.	150.000			
	Terminal capacity:					
	rigid	S mm ²	1 ... 10			
	flexible		1 ... 10			
	Screw head		PZ1			
	Tightening torque	Nm	1.2			
COIL	Range of control	U _c %	85 ... 110			
	Kind of voltage		AC	AC/DC	AC	AC/DC
	Standard control voltages	U _c V	12, 24, 48 230	12, 24, 48 230	12, 24, 48 230	12, 24, 48 230
	Frequency (AC)	f Hz	50/60			
	Surge immunity test (1.2/50 μs) acc. to standard IEC/EN 61000-4-5	kV	2			
	Coil consumption:					
	switch-on	VA/W	12/10	2.1/2.1	33/25	2.6/2.6
	operation		2.8/1.2	2.1/2.1	5.5/1.6	2.6/2.6
	Delays:					
	make	ms	15 ... 25	15 ... 45	10 ... 30	15 ... 45
	break		10 ... 30	20 ... 50	10 ... 30	20 ... 70
	Terminal capacity:					
	rigid (solid and stranded)	mm ²	1 ... 2.5			
	flexible		1 ... 2.5			
	Screw head		PZ1			
	Tightening torque	Nm	0.6			
SAFETY	MTTF - Mean time to failure	h	AC-1: 3.750			
	MTTF = 1/λ = B10/(0.1 n _{op})					
	MTTF _d - Mean time to failure dangerous	h	AC-1: 5.000			
	MTTF _d = 1/λ _d = B10 _d /(0.1 n _{op})					
	B10 - Number of operating cycles until 10 % of devices fail	op. c.	AC-1: 112.500			
	B10 _d - Number of operating cycles until 10 % of device dangerous	op. c.	AC-1: 150.000			
	B10 _d = B10/ratio of dangerous failures					
	λ - Failure rate	1/h	AC-1: 0.000266			
	λ = (0.1 n _{op})/B10					
	λ _d - Failure rate dangerous	1/h	AC-1: 0.0002			
	λ _d = (0.1 n _{op})/B10 _d					
	Ratio of dangerous failures	%	75			
	n _{op} - Operating cycles (operating cycles/h)	op. c./h	300			

INSTALLATION CONTACTORS - UP TO 63 A (2-POLE)

3

	Type	Symbol	Unit	IKA240	IKD240	IKA263	IKD263	
				IKA240-R	IKD240-R	IKA263-R	IKD263-R	
GENERAL	Standards			IEC/EN 61095, IEC/EN 60947-4-1, IEC/EN 60947-5-1				
	Approvals			CE				
	Module width			2				
	Number of poles			2				
	Degree of protection			IP20 (IP40 when installed in installation box - distribution board)				
	Pollution degree			3				
	Climatic conditions			95 % relative humidity				
	Operating ambient temperature				-25 ... +55 (2NO)			
					-15 ... +55 (1NO)			
			°C		-15 ... +55 (1NO+1NC)			
					-15 ... +55 (2NC)			
	Maximum altitude <i>U_i</i> and <i>U_e</i> is reduced for 1.2 % and <i>I_e</i> for 0.4 % for every additional 100 m				2000			
			m					
	Number of contactors or switches side-by-side: ≤40 °C				max. 3			
		(40 ... 55) °C			max. 2			
	Storage temperature		°C		-40... +80			
	Noise level (operation)		dB		30	20	30	20
Vibration resistance according to IEC/EN 60068-2-6	a	g		switched off: 2 (Z and X axis) / switched on: 3 (Z axis) and 1 (X axis)				
Shock resistance according to IEC/EN 6068-2-27	a	g		switched off: 10 (Z and X axis) / switched on: 15 (Z axis) and 2 (X axis)				
Maximum operating frequency with no load		op. c./h		3.000				
Mechanical endurance		op. c.		3.000.000	10.000.000	3.000.000	10.000.000	
Weight		g		245	270	245	270	
MAIN CIRCUIT	Contact reliability			≥17 V; ≥50 mA				
	Minimum distance of open contacts		mm	3,6				
	Power dissipation per pole		W	4		8		
	Overload current withstand capability: 10 s		A	176		240		
	Maximum back-up fuse for short-circuit protection <i>gL</i> and <i>gG</i> : coordination type 1 (at prospective current 3 kA) coordination type 2 (at prospective current 3 kA)	<i>I_v</i>	A	63		80		
				40		63		
	Rated insulation voltage	<i>U_i</i>	V	440				
	Rated impulse withstand voltage	<i>U_{imp}</i>	kV	6				
	Rated operational voltage	<i>U_e</i>	V	400				
	Rated frequency	<i>f</i>	Hz	50/60				
	Thermal current	<i>I_{th}</i>	A	40		63		
	Rated operational current for AC-1, AC-7a and AC-21	<i>I_e</i>	A	40		63		
	Operational power for AC-1, AC-7a and AC-21: single-phase 230 V	<i>P_e</i>	kW	8.7		13.3		
	Maximum operating frequency for AC-1, AC-7a and AC-21		op. c./h	600				
	Electrical endurance for AC-1, AC-7a and AC-21		op. c.	100.000				
	Rated operational current for AC-2	<i>I_e</i>	A	25		32		
	Operational power for AC-2: single-phase 230 V	<i>P_e</i>	kW	3.7		4.8		
	Maximum operating frequency for AC-2		op. c./h	120				
	Electrical endurance for AC-2		op. c.	50.000				
	Rated operational current for AC-22	<i>I_e</i>	A	40		63		
	Operational power for AC-22: single-phase 230 V	<i>P_e</i>	kW	7.4		11.6		
	Maximum operating frequency for AC-22		op. c./h	300				
	Electrical endurance for AC-22		op. c.	50.000				
	Rated operational current for AC-3, AC-3e, AC-7b and AC-23	<i>I_e</i>	A	22		30		
	Operational power for AC-3, AC-3e, AC-7b and AC-23: single-phase 230 V	<i>P_e</i>	kW	3.7		5		
	Maximum operating frequency for AC-3, AC-3e, AC-7b and AC-23		op. c./h	600				
	Electrical endurance for AC-3, AC-3e, AC-7b and AC-23		op. c.	150.000				
	Rated operational current for AC-5a (at 230 V)	<i>I_e</i>	A	20		32		
Maximum operating frequency for AC-5a		op. c./h	600					
		op. c.	100.000					
Rated operational current for AC-5b (at 230 V)	<i>I_e</i>	A	17.6		22			
Maximum operating frequency for AC-5b		op. c./h	600					
		op. c.	100.000					
Rated operational current for AC-6a (at 230 V)	<i>I_e</i>	A	10.8		17.2			
Maximum operating frequency for AC-6a		op. c./h	600					
		op. c.	100.000					
Switching of capacitors AC-6b and AC-7c (at 230 V)	C	µF	220		330			

TECHNICAL DATA

INSTALLATION CONTACTORS - UP TO 63 A (2-POLE)

3

Type	Symbol	Unit	IKA240 IKA240-R	IKD240 IKD240-R	IKA263 IKA263-R	IKD263 IKD263-R
Maximum operating frequency for AC-6b and AC-7c		op. c./h	600			
Electrical endurance for AC-6b and AC-7c		op. c.	100.000			
Rated operational current for DC-1 (L/R ≤ 1 ms): 1 pole ... 24 V DC/48 V DC/60 V DC/110 V DC/ 220 V DC 2 poles in series ... 24 V DC/48 V DC/60 V DC/110 V DC/ 220 V DC	I _e	A	40/25/18/4/1.2		63/26/20/4/1.2	
Maximum operating frequency for DC-1		op. c./h	300			
Electrical endurance for DC-1		op. c.	100.000			
Rated operational current for DC-3 (L/R ≤ 2 ms): 1 pole ... 24 V DC/48 V DC/60 V DC/110 V DC/ 220 V DC 2 poles in series ... 24 V DC/48 V DC/60 V DC/110 V DC/ 220 V DC	I _e	A	22/10/5/1.5/0.3		25/11/5/1.5/0.3	
Maximum operating frequency for DC-3		op. c./h	300			
Electrical endurance for DC-3		op. c.	100.000			
Rated operational current for DC-5 (L/R ≤ 7.5 ms): 1 pole ... 24 V DC/48 V DC/60 V DC/110 V DC/ 220 V DC 2 poles in series ... 24 V DC/48 V DC/60 V DC/110 V DC/ 220 V DC	I _e	A	20/8/4/1/0.2		25/10/5/1/0.2	
Maximum operating frequency for DC-5		op. c./h	300			
Electrical endurance for DC-5		op. c.	100.000			
Terminal capacity: rigid (solid and stranded)	S	mm ²	1.5 ... 25			
flexible			1.5 ... 16			
Length of removed wire insulation		mm	10			
Screw			M5			
Screw head			PZ2			
Tightening torque		Nm	2.5			
Contact reliability			≥17 V; ≥50 mA			
Minimum distance of open contacts		mm	3.6			
Power dissipation per pole		W	4		8	
Overload current withstand capability: 10 s		A	176		240	
Maximum back-up fuse for short-circuit protection gL and gG: coordination type 1 (at prospective current 3 kA) coordination type 2 (at prospective current 3 kA)	I _v	A	63		80	
Rated insulation voltage	U _i	V	440			
Rated impulse withstand voltage	U _{imp}	kV	4			
Rated operational voltage	U _e	V	230/400			
Rated frequency	f	Hz	50/60			
Thermal current	I _{th}	A	40		63	
Rated operational current for AC-15: single-phase 230 V single-phase 400 V	I _e	A	6			
Maximum operating frequency for AC-15		op. c./h	1200			
Electrical endurance for AC-15		op. c.	150.000			
Rated operational current for DC-13: 1 pole ... 24 V DC/48 V DC/60 V DC/110 V DC/ 220 V DC 2 poles in series ... 24 V DC/48 V DC/60 V DC/110 V DC/ 220 V DC	I _e	A	6/4/1/0.3/0.05			
Maximum operating frequency for DC-13		op. c./h	300			
Electrical endurance for DC-13		op. c.	200.000			
Terminal capacity: rigid (solid and stranded)	S	mm ²	1.5 ... 25			
flexible			1.5 ... 16			
Length of removed wire insulation		mm	10			
Screw			M5			
Screw head		mm	PZ2			
Tightening torque			2.5			
Range of control voltage for switch-on	U _c	%	85 ... 110			
Range of control voltage for drop out	U _c	%	AC: 75 ... 20 / DC: 75 ... 10 (where is applicable)			
Kind of voltage			AC	AC/DC	AC	AC/DC
Standard control voltages	U _c	V	12, 24, 48, 120, 230, 400	12, 24, 48, 120, 230	12, 24, 48, 120, 230, 400	12, 24, 48, 120, 230
Frequency of AC control voltage	f	Hz	50/60	40 ... 500	50/60	40 ... 500
Control mode			remote control with U _c / manual control only for types with -R			
Impulse duration of control voltage: minimum			permanent			
maximum			permanent			
Minimum duration between two impulses of control voltage		ms	AC: 150 / DC: 500 (where is applicable)			
Surge immunity withstand voltage 1.2/50 μs acc. to standard IEC/EN 61000-4-5		kV	2			

TECHNICAL DATA

INSTALLATION CONTACTORS - UP TO 63 A (2-POLE)

	Type	Symbol	Unit	IKA240	IKD240	IKA263	IKD263
				IKA240-R	IKD240-R	IKA263-R	IKD263-R
COIL	Coil consumption: switch-on		VA/W	33/25	2.6/2.6 ¹⁾	33/25	2.6/2.6 ¹⁾
	operation			5.5/1.6	2.6/2.6 ¹⁾	5.5/1.6	2.6/2.6 ¹⁾
	Delays: make		ms	10 ... 20	15 ... 20	10 ... 20	15 ... 20
	brake			10 ... 15	35 ... 45	10 ... 15	35 ... 45
	Terminal capacity:		mm ²		1 ... 2.5		1 ... 2.5
	Length of removed wire insulation		mm		8		
	Screw				M3		
	Screw head				PZ1		
	Tightening torque		Nm		0.6		
SAFETY	MTTF - Mean time to failure		h			AC-1: 2.500	
	MTTF = 1/λ = B10/(0.1 n _{op})					AC-3: 3.750	
	MTTF _d - Mean time to failure dangerous		h			AC-1: 3.333	
	MTTF _d = 1/λ _d = B10 _d /(0.1 n _{op})					AC-3: 5.000	
	B10 - Number of operating cycles until 10 % of devices fail		op. c.			AC-1: 75.000	
	B10 _d - Number of operating cycles until 10 % of device dangerous		op. c.			AC-3: 112.500	
	B10 _d = B10/ratio of dangerous failures					AC-1: 100.000	
	λ - Failure rate		1/h			AC-1: 0.0004	
	λ = (0.1 n _{op})/B10					AC-3: 0.000266	
	λ _d - Failure rate dangerous		1/h			AC-1: 0.0003	
λ _d = (0.1 n _{op})/B10 _d					AC-3: 0.0002		
Ratio of dangerous failures		%			75		
n _{op} - Operating cycles (operating cycles/h)		op. c./h			300		

¹⁾ Coil consumption for version -02 is 3.8 VA/3.8 W

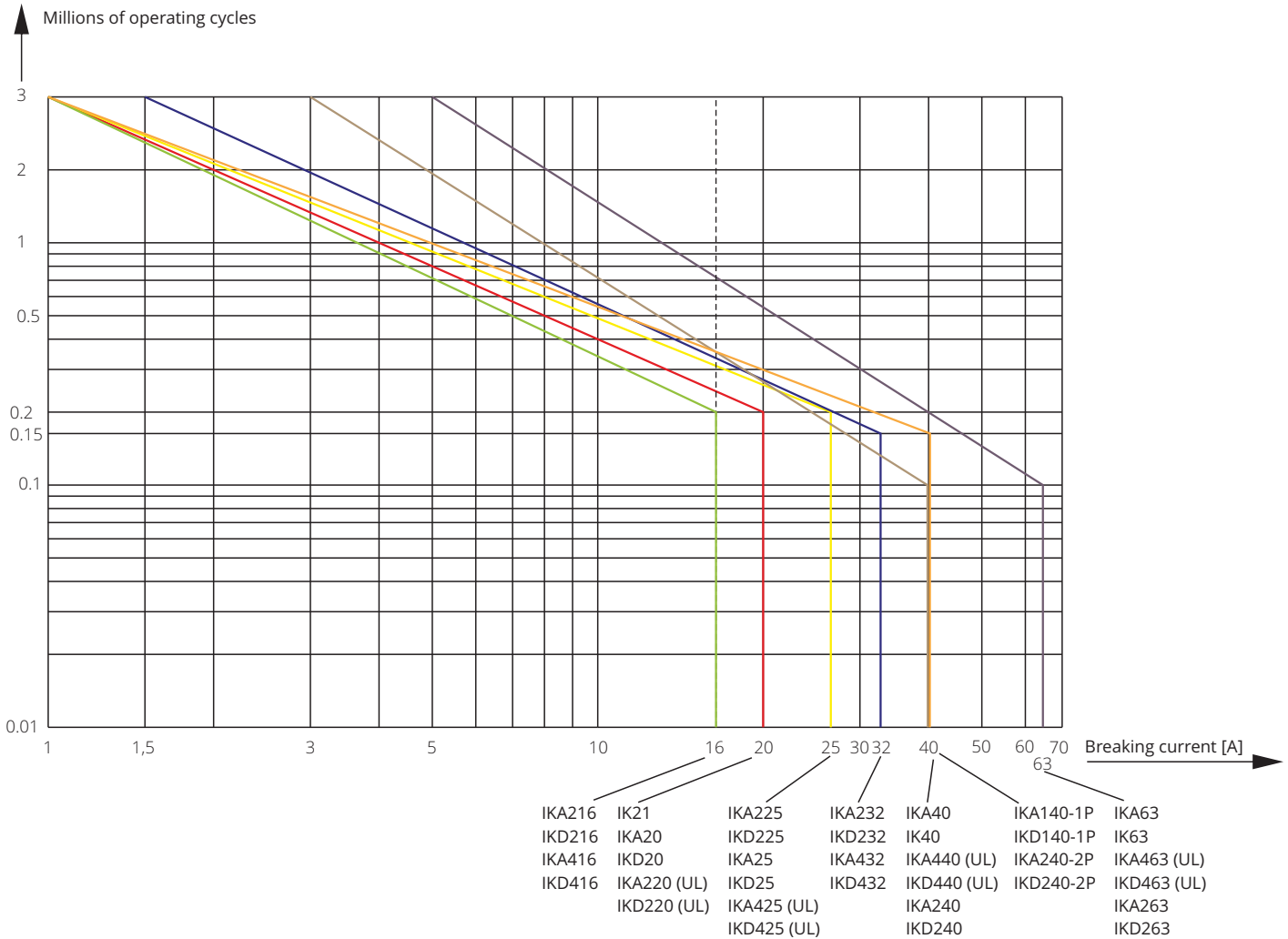
INSTALLATION CONTACTORS

Electrical endurance

AC-1/230V/1-phase for IKA20, IKD20, IKA216, IKD216, IKA220 (UL), IKD220 (UL), IKA225, IKD225, IKA232, IKD232, IKA440 (UL), IKD440 (UL), IKA463 (UL), IKD463 (UL), IKA140-1P, IKD140-1P, IKA240-2P, IKD240-2P, IKA240, IKD240, IKD263, IKD263

AC-1/400V/3-phase for IK21, IKA25, IKD25, IKA416, IKD416, IKA425 (UL), IKD425 (UL), IKA432, IKD432, IKA40, IK40, IKA63, IK63

Diagram 1

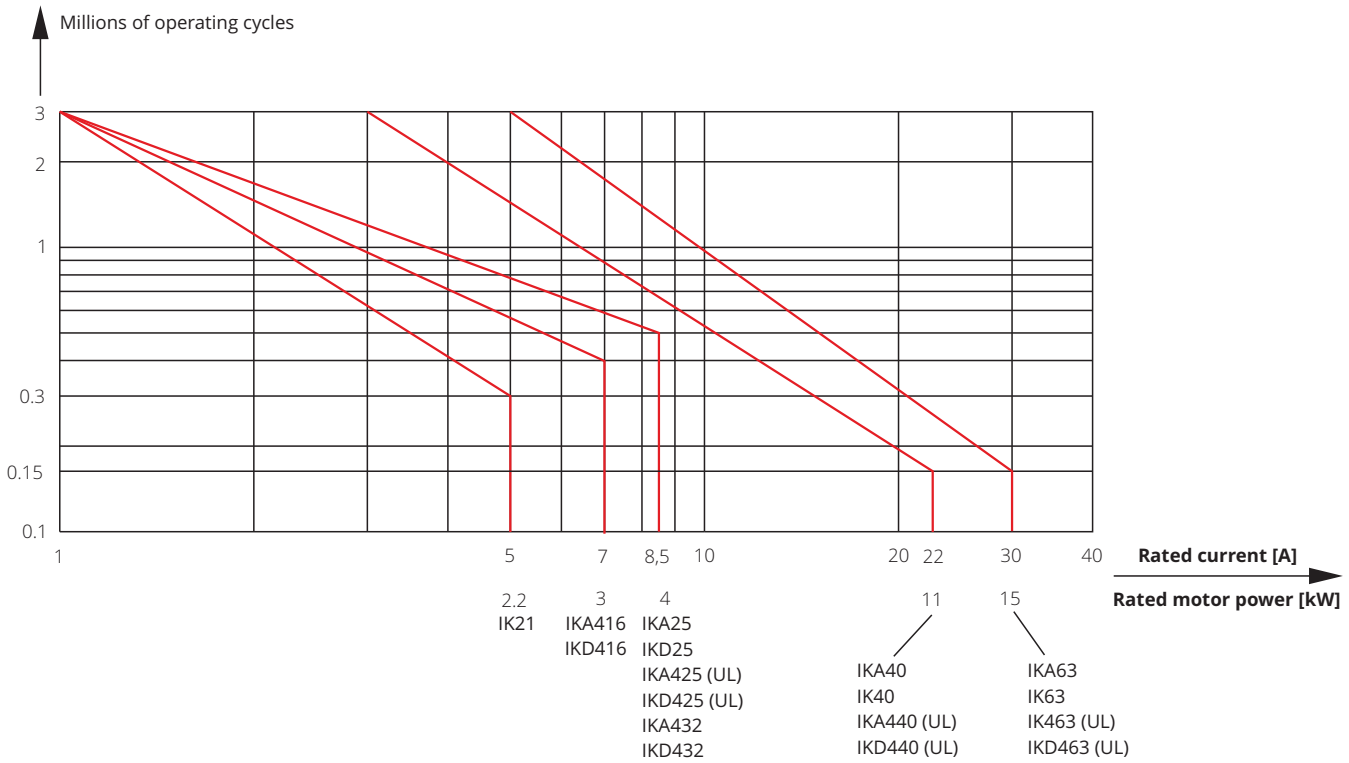


INSTALLATION CONTACTORS

Electrical endurance

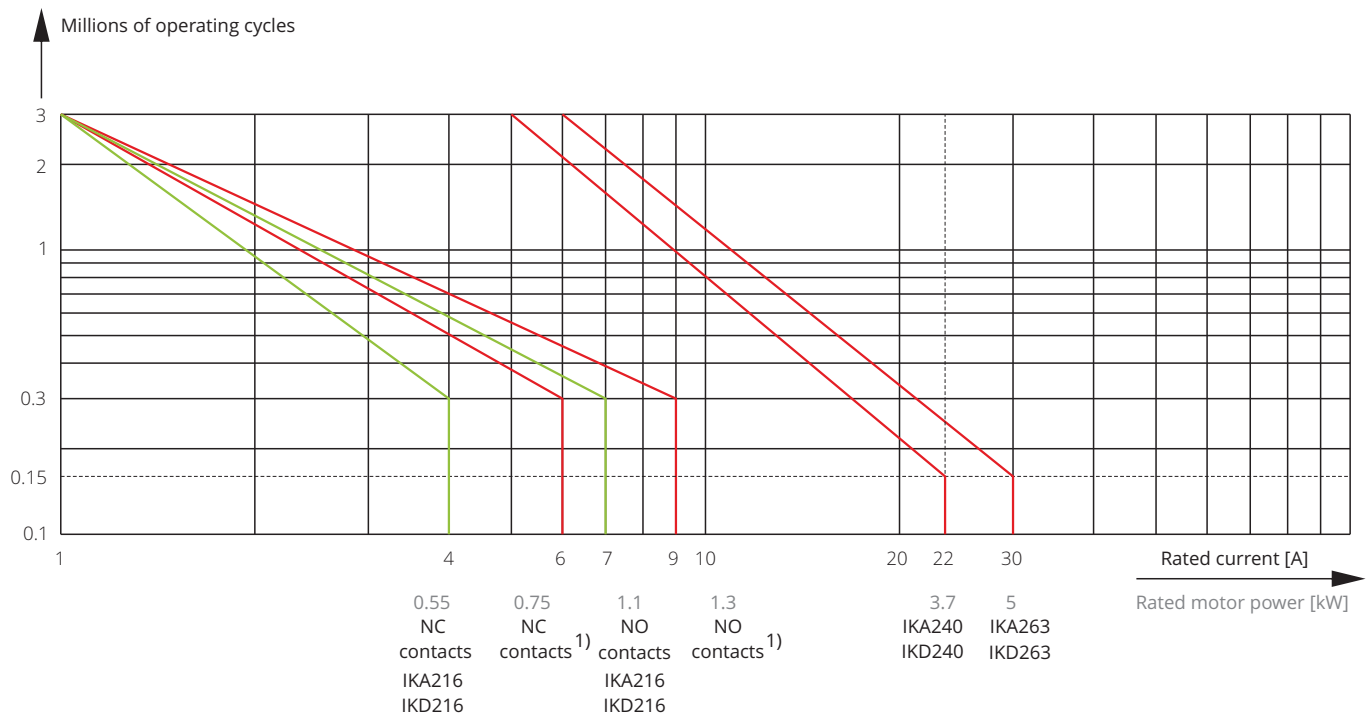
AC-3, AC-3e/400V/3-phase for IK21, IKA416, IKD416, IKA25, IKD25, IKA425 (UL), IKD425 (UL), IKA432, IKD432, IKA40, IKA63, IK63, IKA440 (UL), IKD440 (UL), IKA463 (UL), IKD463 (UL)

Diagram 2



AC-3, AC-3e/230V/1-phase for IKA216, IKD216, IKA20, IKD20, IKA220 (UL), IKD220 (UL), IKA225, IKD225, IKA232, IKD232, IKA240, IKD240, IKA263, IKD263

Diagram 3

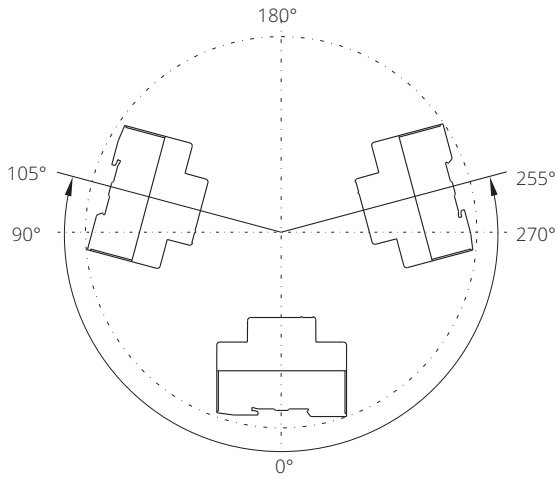


¹⁾ IKA20, IKD20, IKA220 (UL), IKD220 (UL), IKA225, IKD225, IKA232, IKD232

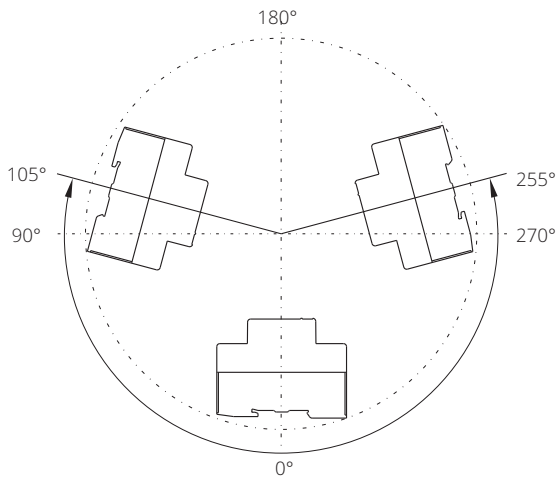
INSTALLATION CONTACTORS

Operation position

**IKA216/20/225/232/140/240/25/432/40/63
IKA220/425/440/463 (UL)**

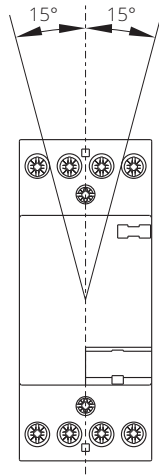


**IKA216/20/225/232-R/-T
IKA25/432-R/-T**

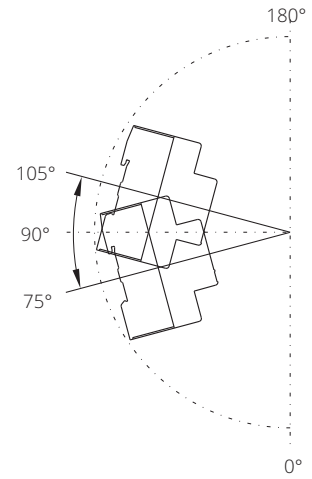


NOTE: IK21 and IKS-R/-T have no limitation

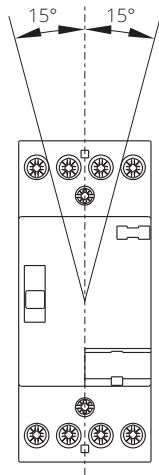
All installation contactors



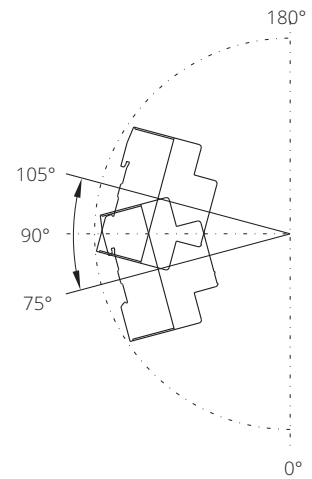
**IKD216/20/225/232/140/240/25/432
IK40/63, IKD220/425/440/463 (UL)**



**IKA/D216/20/225/232-R/-T
IKA/D416/25/432-R/-T**

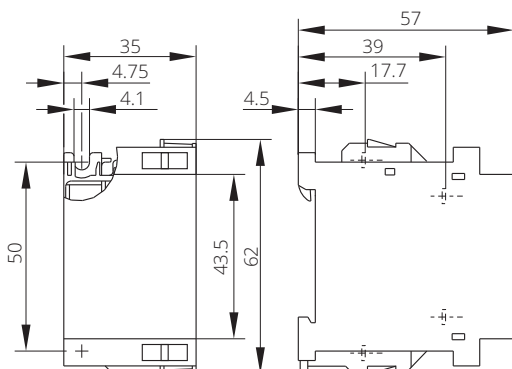


**IKD20/225/232-R/-T
IKD25/432-R/-T**

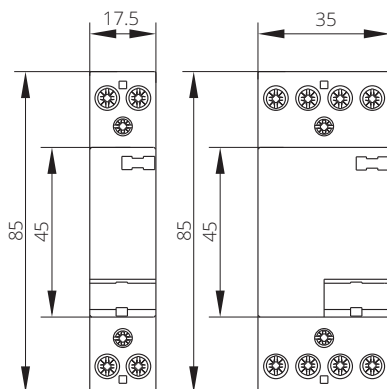


Dimensions (in millimeters)

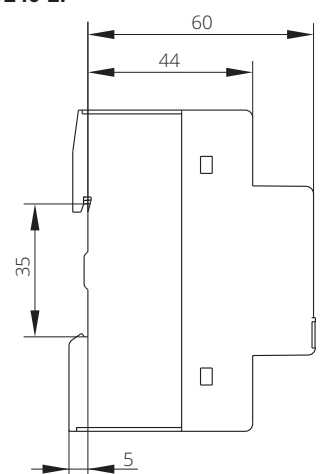
IK21



**IKA216, IKD216
IKA20, IKD20
IKA225, IKD225
IKA232, IKD232
IKA140-1P
IKD140-1P**



**IKA416, IKD416
IKA25, IKD25
IKA25, IKD25
IKA432, IKD432
IKA240-2P, IKD240-2P**

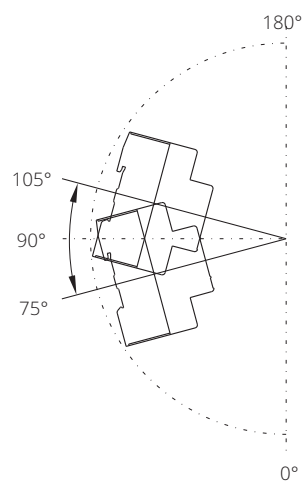
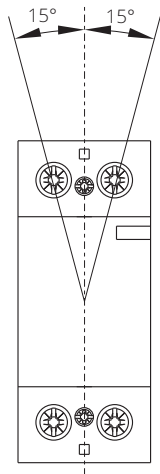
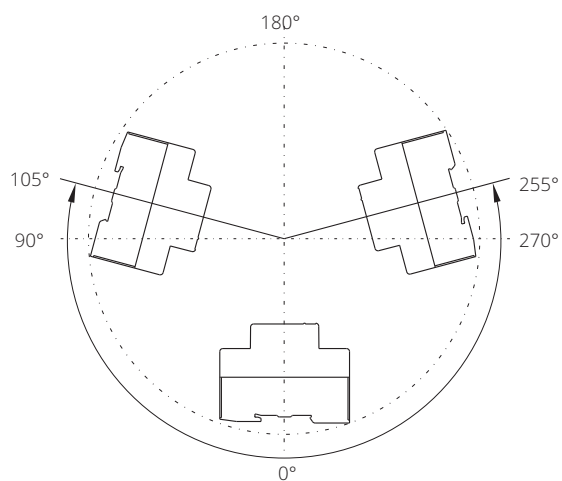


INSTALLATION CONTACTORS

Operation position

IKA240, IKA263
IKD240, IKD263

IKA240-R, IKA263-R
IKD240-R, IKD263-R



Dimensions (in millimeters unless otherwise stated)

IKA240, IKA263
IKD240, IKD263

IKA240-R, IKA263-R
IKD240-R, IKD263-R

