

## Data sheet:

### AC-Load break switch Model S5000 – 1000A



#### Electrical data (according to IEC 60947-3)

**Thermal current I<sub>th</sub> (-30 to 50 °C) 1000A**

Rated insulation voltage U<sub>i</sub> (V) 1000  
Rated impulse withstand voltage U<sub>imp</sub> (kV) 12

#### AC Rated operational current I<sub>e</sub> (A)

Voltage (C)	Category of operation	I <sub>e</sub>
400 V	AC21A	1000
	AC22A	1000
500 V	AC21A	1000
	AC22A	1000

\*\* Please consult for other voltages and/or category of operation

Standards. IEC 60947-1 & 3

Quality Telergon, S.A.U.

ISO 9001 & 14001



Management System  
ISO 9001:2008  
ISO 14001:2004  
[www.tuv.com](http://www.tuv.com)  
ID 9105053481

#### Short-circuit behaviour

Short-circuit making capacity (peak value) I<sub>cm</sub> 60kA  
Short-time withstand current (1 sec) (rms) I<sub>cw</sub> 25kA  
Conditional short-circuit current (rms value)  
Maximum cut-off current (peak value)

#### Connection capacity

Bar (Thickness / Width) (mm) 2x7/80  
Rigid cable (mm<sup>2</sup>)  
Max. Connecting copper bar (mm) 80  
Tightening torque (N·m) 80

Testing as per IEC 60947-3. Approvals

IPH Berlin



#### Mechanical data

Minimum number of operations (as per standard) without load 10000  
Maximum weight (4 pole molded case) (kg) 18,5/20,8

#### Codes

Case size (A)	Poles	Code	Code for direct handle
Size 4	3P	S5-10003PS0	DS-LI41
Size 4	4P (3P+N)	S5-10003NS0	DS-LI41

#### Accessories

Panel handle DS-LA41  
Auxiliary contact D5LAU01

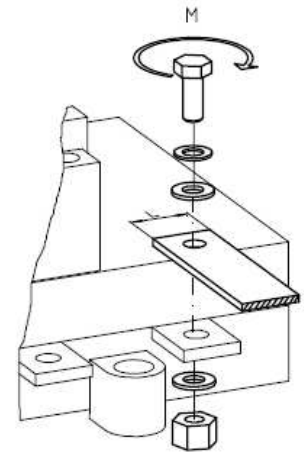
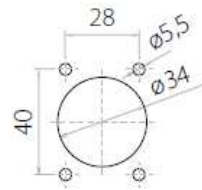
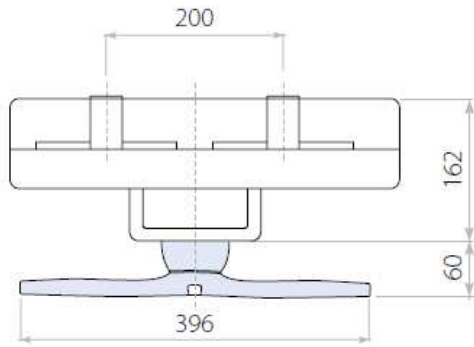
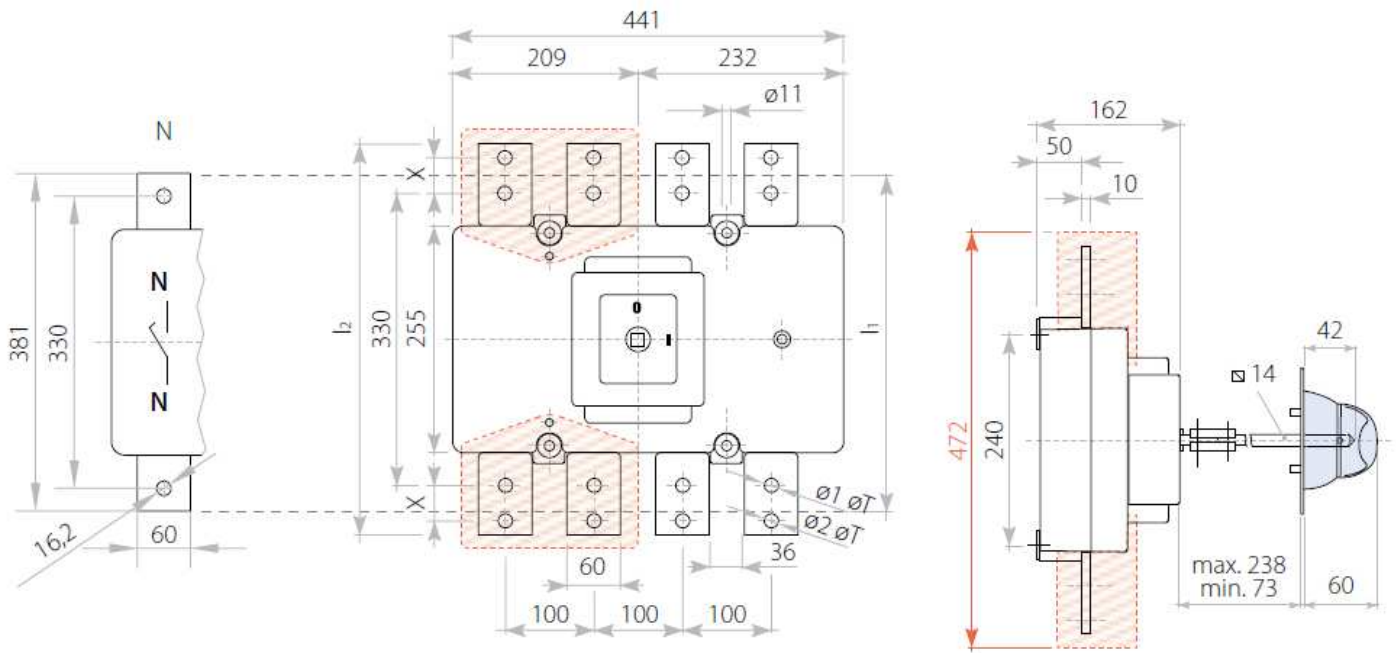
You will find detailed information about our products on our web site [www.telergon.es](http://www.telergon.es)



**AC Switch-Disconnecter**  
**S5-10003PS0**  
**S5-10003NS0**

TELERGON, S.A.U.  
Data subject to change without  
notice (printed: 26/02/2014)

# Dimensions



S5000	I <sub>th</sub>	H	l	X	øT	M	N×m	H L	
								H max. (Cu) mm	L max. (Cu) mm
4	1000 A	330	381	-	16,2	M16	80	2×7	80

You will find detailed information about our products on our web site [www.telergon.es](http://www.telergon.es)



**AC Switch-Disconnecter**  
**S5-10003PS0**  
**S5-10003NS0**

TELERGON, S.A.U.  
 Data subject to change without  
 notice (printed: 26/02/2014)