

# Load break switch-disconnector

S6 – 3P+N– 1600 A



Indicative picture of the series

## Standards

IEC 60947-3

## Quality Telergon, SAU

ISO 9001 & 14001



## Testing as per IEC 60947-3 Approvals

Austrian Institute of  
Technology



## Electrical data (according to IEC 60947-3)

### Thermal current I<sub>th</sub> (40 °C)

1600 A

### Rated insulation voltage U<sub>i</sub>

1000 V

### Rated impulse withstand voltage U<sub>imp</sub>

12 kV

### Rated operational current I<sub>e</sub>

Voltage	Category of operation	I <sub>e</sub>
415 V	AC-22B	1600 A

### Short-circuit behavior

Short-circuit making capacity (peak value) <sup>*(1)</sup>	I <sub>cm</sub>	75 kA
Short-time withstand current (1 sec) (rms)	I <sub>cw</sub>	50 kA

<sup>\*(1)</sup> Without limiting protective device (short-circuit maintained 50...100ms)

### Connection capacity

Bar (Thickness / Width) (mm)	3x100x5
Rigid cable (mm <sup>2</sup> )	4x400
Max. Connecting copper bar (mm)	100
Tightening torque (N·m)	45

### Mechanical data

Number of operations without load (cycles)	500
--	-----

## Codes

Case size	Poles	Code of the switch	Accessories	Codes of the accessories
4	3P+N	S6-16003NS0	Direct handle Panel handle Auxiliary contacts Phase barriers	DS-LI41 DS-LA41 D5LAU01 (1NO+1NC) DR-SF22 (2 units)

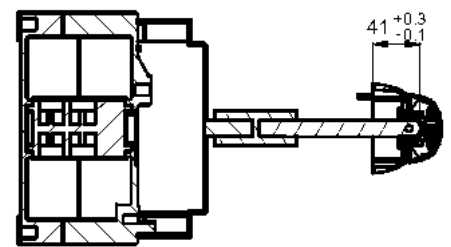
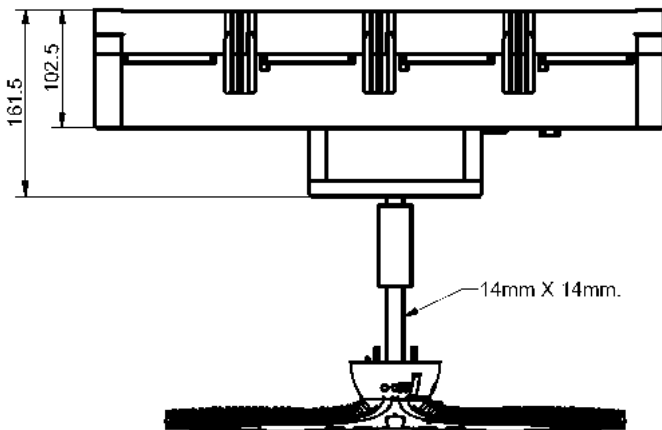
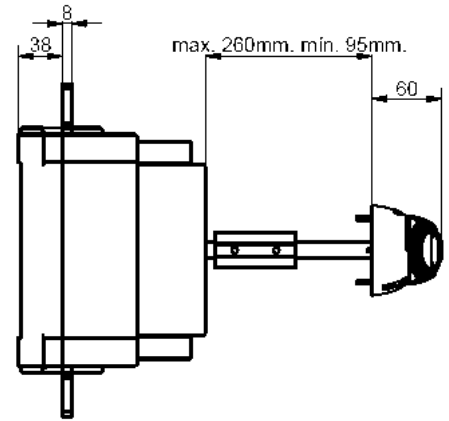
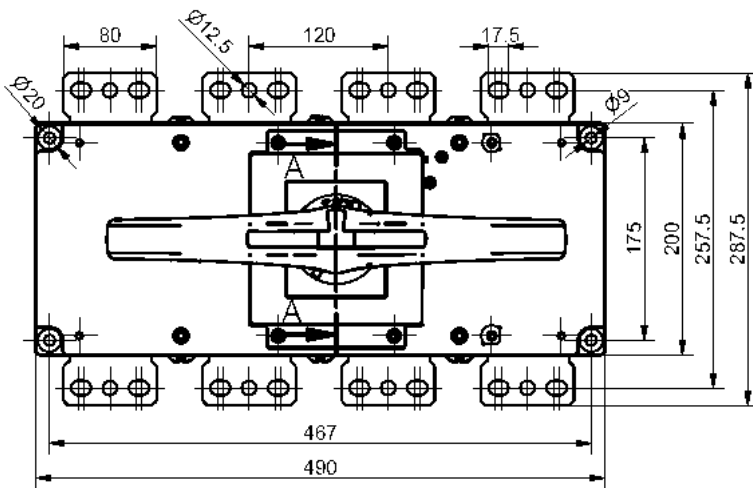
You will find detailed information about our products on our web site [www.telergon.com](http://www.telergon.com)



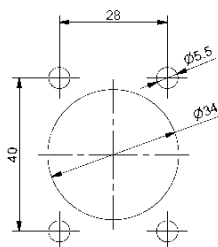
Load break switch-disconnector  
S6-16003NS0

TELERGON, SAU  
Data subject to change without  
notice (printed: 01/10/2020)

# Dimensions



Door drilling handle



You will find detailed information about our products on our web site [www.telergon.com](http://www.telergon.com)



**Load break switch-disconnector**  
S6-16003NS0

TELERGON, SAU  
Data subject to change without  
notice (printed: 01/10/2020)