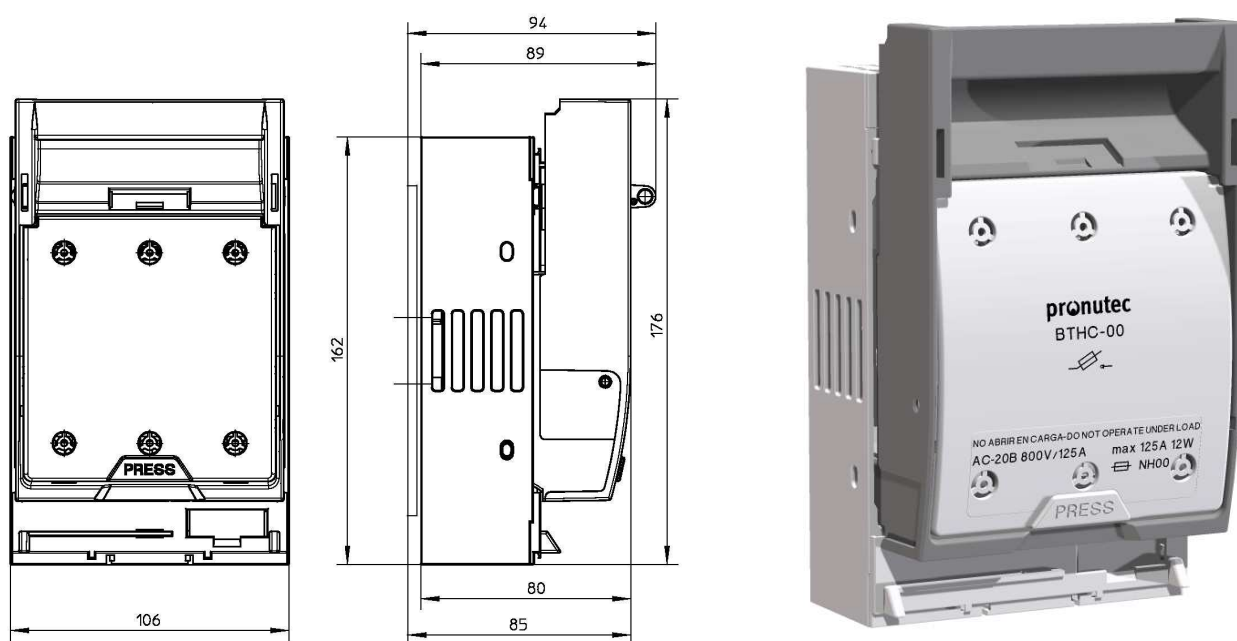


PRODUCT

Reference 4321201XX00E8
 Product type/ BTHC-00, 800V
 Description Horizontal Fuse Switch Disconnecter, 3-Pole switchable, Panel Mounting, 800V

DIMENSIONS / PHOTO



TECHNICAL DATA

Rated operational voltage	Ue (V)	800
Rated operational current	Ie (A)	125
Rated frequency	(Hz)	40-60
Rated insulation voltage	Ui (V)	1.000
Utilization category		AC-20B
Rated impulse withstand voltage	Uimp (KV)	8