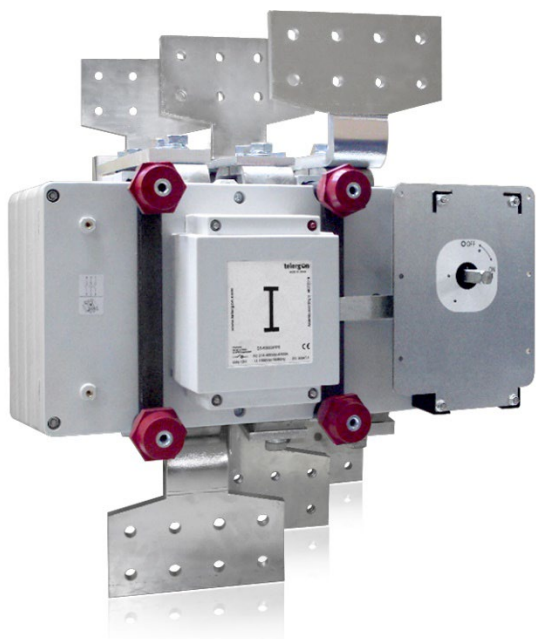


AC-Load break switch

Model S5 – 6300A – 400V



Indicative picture

Electrical data (according to IEC 60947-3)

Thermal current I_{th}

40°C	6300A
50°C	5670A
60°C	5040A

Rated insulation voltage U_i

1000V

Rated impulse withstand voltage U_{imp}

12kV

AC Rated operational current I_e (A)

Voltage (C)	Category of operation	I_e
400 V	AC21A	6300
400 V	AC22A	4000
400 V	AC23A	2500

*Please consult for other voltages and/or category of operation

Short-circuit behaviour

Short-circuit making capacity (peak value)	I_{cm}	100kA
Short-time withstand current (1 sec) (rms)	I_{cw}	50kA

Connection capacity

Bar (Thickness / Width) (mm)	6X10/100
Max. Connecting cooper bar (mm)	100
Tightening torque (N·m)	50

Mechanical data

Minimum number of operations (as per standard) without load	2000
Maximum weight (kg) (3P / 3P+N)	130/140

Standards and Approvals

IEC 60947-3



Quality Telergon, SAU

ISO 9001 & 14001



Codes

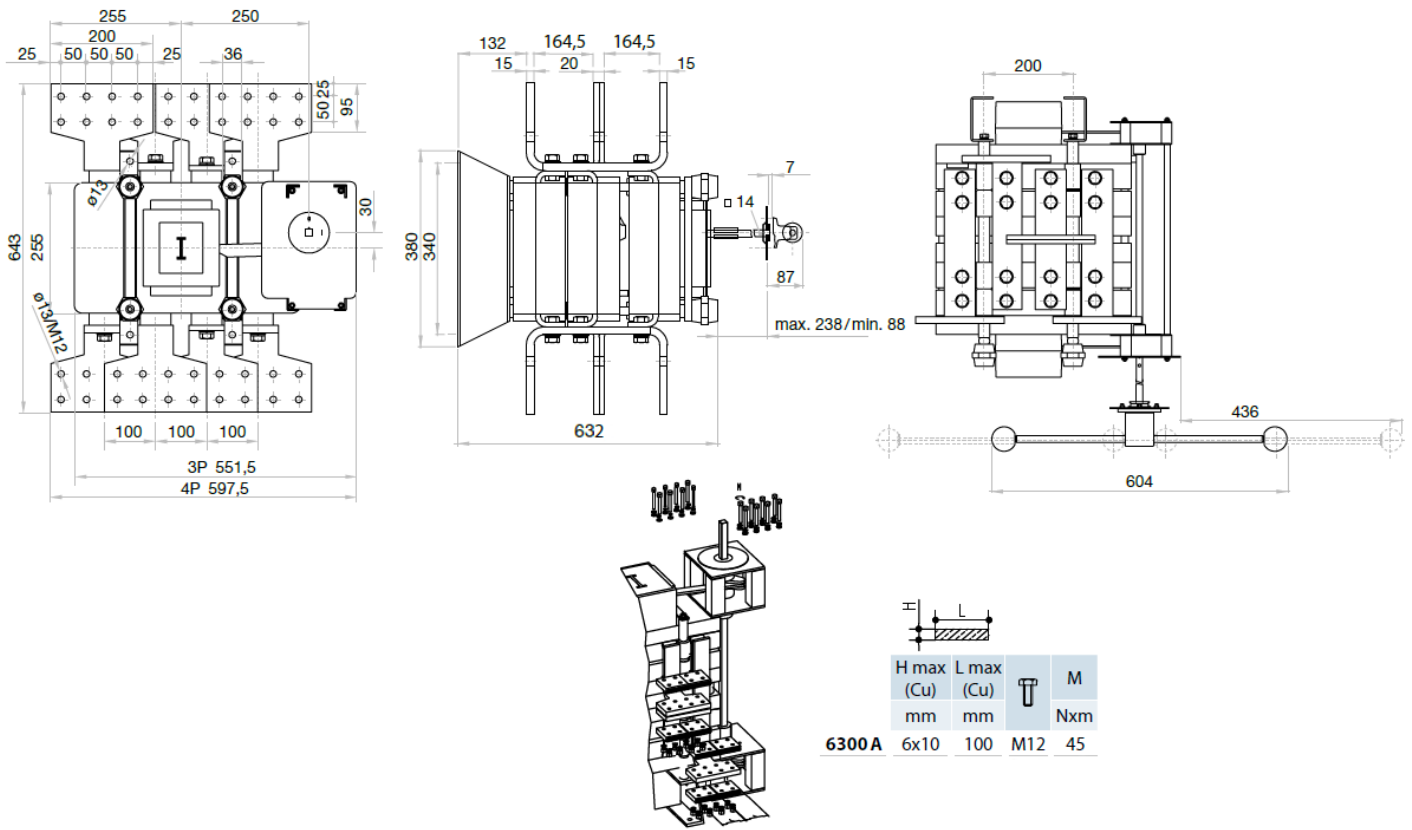
Case size	Poles	Code	Accessories	
Size 6	3P	S5-63003PP0	External handle (with shaft)	DS-EN61

You will find detailed information about our products on our web site www.telergon.com

AC Load-break switch
S5-63003PP0

TELERGON, SAU
Data subject to change without
notice (printed: 07/06/2024)

Dimensions



You will find detailed information about our products on our web site www.telergon.com



AC Load-break switch
S5-63003PP0

TELERGON, SAU
Data subject to change without
notice (printed: 07/06/2024)