

**UM technical information (according to IEC 60947-3)**


Indicative picture

|  |                 |                  |
|--|-----------------|------------------|
| Voltage supply   |                 | 230Vac           |
| Operating voltage range  | $\Delta V$      | 0,95 V to 1,10V  |
| Cable of voltage supply  | mm <sup>2</sup> | 1,5 - 2,5        |
| Cable section area input & MODBUS signals                            | mm <sup>2</sup> | 0,5 - 1,5        |
| Cable section area outputs   | mm <sup>2</sup> | 0,5 - 1,5        |
| Inrush current   | A               | 11               |
| Nominal current during operation                                     | A               | 3,9              |
| Use current (I <sub>rms</sub> )                                      | A               | 0,041            |
| Use current (I <sub>max</sub> )                                      | A               | 0,275            |
| Protection Fuse   Reference F4AL250V (Littelfuse)                    | A               | 4                |
| Operating time   | s               | 0,15             |
| Number of UM operations + S5F/2                                      | Cycles          | 5000             |
| Operations frequency (0 - I - 0 - II - 0) (according to IEC 60947-3) | Cycles/h        | 20               |
| Working temperature range  | °C              | -5°C ... +40°C   |
| Transportation and storage temperature                               |                 | -40°C ... + 70°C |
| UM weight  | Kg              | 4,4              |

**EMC table**
**Emission**

| Test                         | Standard     | Frequency range | Level | According to criterion | Criterion (test) | Result |
|------------------------------|--------------|-----------------|-------|------------------------|------------------|--------|
| Unwanted voltage             | EN 55011     | 150kHz-30MHz    | N.A.  | N.A.                   | N.A.             | C      |
| Radiated emission            | EN 55011     | 30MHz-1GHz      | N.A.  | N.A.                   | N.A.             | C      |
| Emission of harmonic current | EN 61000-3-2 | 0,02A 0-2kHz    | N.A.  | N.A.                   | N.A.             | C      |
| Flicker                      | EN 61000-3-3 | 0-2kHz          | N.A.  | N.A.                   | N.A.             | C      |

**Immunity**

| Test   | Standard         | Frequency range   | Level           | According to criterion | Criterion (test) | Result |
|--|------------------|---|-----------------|------------------------|------------------|--------|
| Electrostatic discharges                           | EN 61000-4-2     | Special, A<br>+/- 8KV air discharge<br>10V/m                    | Special         | B                      | A                | C      |
| Electromagnetic H.F. field                         | EN 61000-4-3     | From 80MHz up to 2,7 Ghz  | Special         | A                      | A                | C      |
| Fast transients (Burst)                            | EN 61000-4-4     | +/-2KV power supply<br>+/- 1KV signal supply<br>Rep 5kHz - 2min | 3               | B                      | A                | C      |
| Fast transient (surge discharge)                   | EN 61000-4-5     | +/-4KV power supply<br>Generator impedance 2Ω<br>Wave 1,2/50μs  | 5               | B                      | A                | C      |
| Conducted disturbances                             | EN 61000-4-6     | 10V supply and signal<br>0,15-80MHz                             | 3               | A                      | A                | C      |
| Electromagnetic field, industrial frequency        | EN 61000-4-8     | Field intensity 30A/m   | 4               | A                      | A                | C      |
| Voltage dips, interruptions and voltage variations | EN 61000-4-11    | N.A.  | 100% Un - 10ms  | B                      | A                | C      |
|  |                  | N.A.  | 100% Un - 20ms  | B                      | A                | C      |
|  |                  | N.A.  | 60% Un - 200ms  | C                      | A                | C      |
|  |                  | N.A.  | 30% Un - 500ms  | C                      | A                | C      |
|  |                  | N.A.  | 20% Un - 5000ms | C                      | A                | C      |
| N.A.   | 100% Un - 5000ms | C   | C               | C                      |                  |        |

CRITERION A: Normal service behavior in determined limits

CRITERION B: Transient alteration of the service. The appliance gets back to the normal performing without the intervention of the operator

Test level 3: Typical industrial environment, without special installation measures

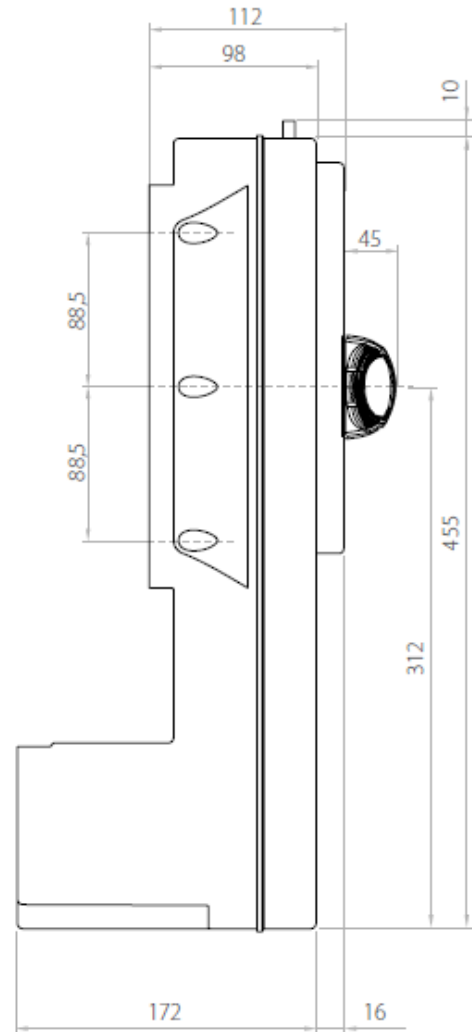
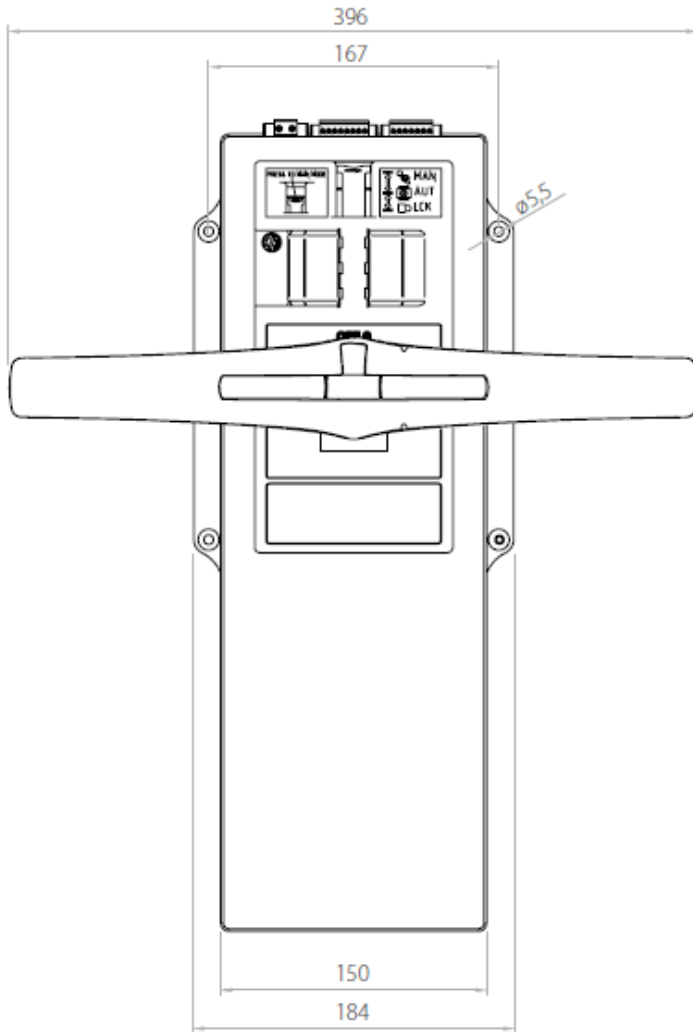
Test level 4: Severe industrial environment

Special level: Level of higher electromagnetic severe environment

 You will find detailed information about our products on our web site [www.telergon.com](http://www.telergon.com)

**Motorized Unit Kit**  
 UM-C25230M

 TELERGON, SAU  
 Data subject to change without  
 notice (printed: 29/06/2023)



You will find detailed information about our products on our web site [www.telergon.com](http://www.telergon.com)



**Motorized Unit Kit**  
UM-C25230M

TELERGON, SAU  
Data subject to change without  
notice (printed: 29/06/2023)