

UM technical information (according to IEC 60947-3)


Voltage supply		230Vac
Operating voltage range	ΔV	0,95 V to 1,10V
Cable of voltage supply	mm ²	1,5 - 2,5
Cable section area input & MODBUS signals	mm ²	0,5 - 1,5
Cable section area outputs	mm ²	0,5 - 1,5
Inrush current	A	11
Nominal current during operation	A	3,9
Use current (Irms)	A	0,041
Use current (Imax)	A	0,275
Protection Fuse Reference F4AL250V (Littelfuse)	A	4
Operating time	s	0,15
Number of UM operations + S5F/4	Cycles	3000
Operations frequency (0 - I - 0 - II - 0) (according to IEC 60947-3)	Cycles/h	20
Working temperature range	°C	-5°C ... +40°C
Transportation and storage temperature		-40°C ... + 70°C
UM weight	Kg	4,4

EMC table

Emission						
Test	Standard	Frequency range	Level	According to criterion	Criterion (test)	Result
Unwanted voltage	EN 55011	150kHz-30MHz	N.A.	N.A.	N.A.	C
Radiated emission	EN 55011	30MHz-1GHz	N.A.	N.A.	N.A.	C
Emission of harmonic current	EN 61000-3-2	0,02A 0-2kHz	N.A.	N.A.	N.A.	C
Flicker	EN 61000-3-3	0-2kHz	N.A.	N.A.	N.A.	C
Immunity						
Test	Standard	Frequency range	Level	According to criterion	Criterion (test)	Result
Electrostatic discharges	EN 61000-4-2	Special, A +/- 8KV air discharge 10V/m	Special	B	A	C
Electromagnetic H.F. field	EN 61000-4-3	From 80MHz up to 2,7 Ghz	Special	A	A	C
Fast transients (Burst)	EN 61000-4-4	+/-2KV power supply +/- 1KV signal supply Rep 5kHz - 2min	3	B	A	C
Fast transient (surge discharge)	EN 61000-4-5	+/-4KV power supply Generator impedance 2Ω Wave 1,2/50μs	5	B	A	C
Conducted disturbances	EN 61000-4-6	10V supply and signal 0,15-80MHz	3	A	A	C
Electromagnetic field, industrial frequency	EN 61000-4-8	Field intensity 30A/m	4	A	A	C
Voltage dips, interruptions and voltage variations	EN 61000-4-11	N.A.	100% Un - 10ms	B	A	C
		N.A.	100% Un - 20ms	B	A	C
		N.A.	60% Un - 200ms	C	A	C
		N.A.	30% Un - 500ms	C	A	C
		N.A.	20% Un - 5000ms	C	A	C
N.A.	100% Un - 5000ms	C	C	C		

CRITERION A: Normal service behavior in determined limits

CRITERION B: Transient alteration of the service. The appliance gets back to the normal performing without the intervention of the operator

Test level 3: Typical industrial environment, without special installation measures

Test level 4: Severe industrial environment

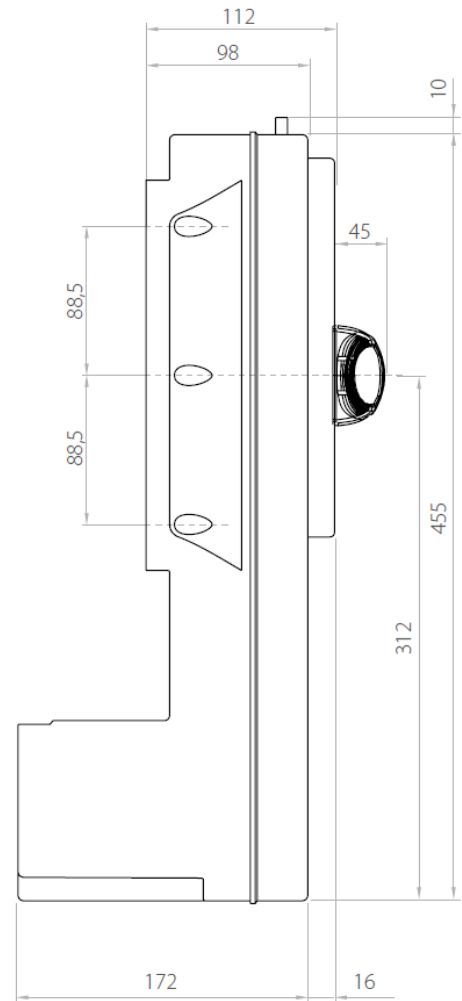
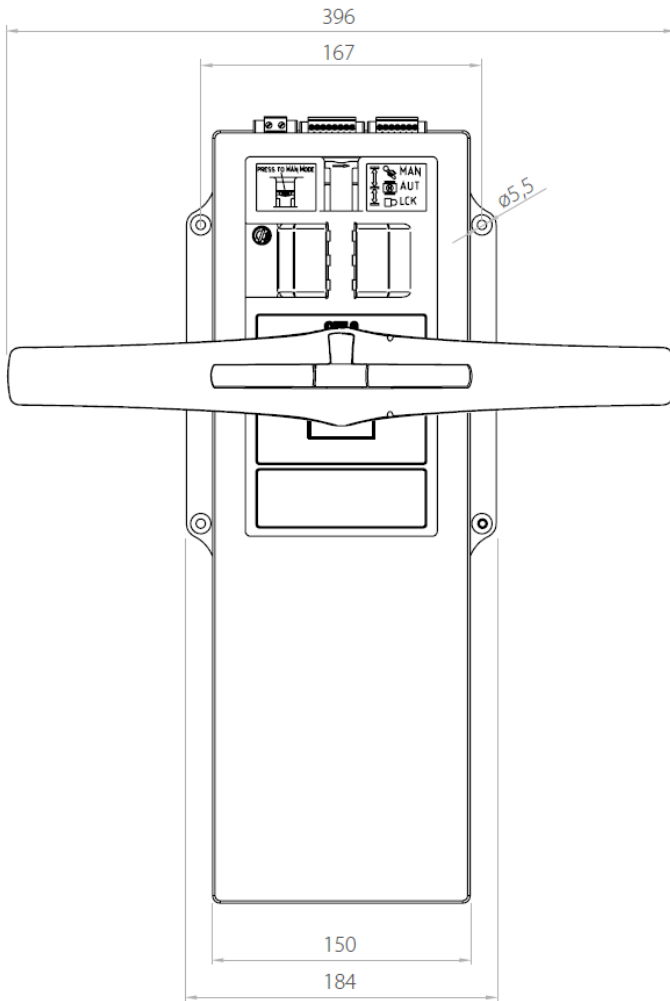
Special level: Level of higher electromagnetic severe environment

You will find detailed information about our products on our web site www.telergon.com



Motorized Unit Kit
UM-C45230M

TELERGON, SAU
Data subject to change without
notice (printed: 18/05/2022)



You will find detailed information about our products on our web site www.telergon.com



Motorized Unit Kit
UM-C45230M

TELERGON, SAU
Data subject to change without
notice (printed: 18/05/2022)