

UM technical information (according to IEC 60947-3)


Voltage supply		230Vac
Operating voltage range	ΔV	0,95 V to 1,10V
Cable of voltage supply	mm ²	1,5 - 2,5
Cable section area input & MODBUS signals	mm ²	0,5 - 1,5
Cable section area outputs	mm ²	0,5 - 1,5
Inrush current	A	1,1
Use current (I _{rms})	A	45
Use current (I _{max})	A	137
Protection Fuse Reference F4AL250V (Littelfuse)	A	1
Number of UM operations + S5F/4	Cycles	8000
Operations frequency (0 – I – II – 0)	Cycles/h	120
Working temperature range	°C	-25°C ... +55°C
Transportation and storage temperature		-40°C ... + 70°C
UM weight	Kg	1,8

EMC table
Emission

Test	Standard	According to standard UNE/EN 61000	According to standard IEC 60947-6	Results achieved	Values achieved in tests
Emission of harmonic current	EN 61000-3-2	Level 3	Level 3	Level 3	0,02A total current (manual mode)
		Level 3	Level 3	Level 3	0,04A total current (automatic mode)
Unwanted voltage	EN 55011	Level 3	Level 3	Level 3	Qualified
Radiated emission	EN 55011	Level 3	Level 3	Level 3	Qualified

Immunity

Test	Standard	According to standard UNE/EN 61000	According to standard IEC 60947-6	Results achieved	Values achieved in tests
Electrostatic discharges	EN 61000-4-2	Special, B	Special, A	Special, A	±8KV air discharge ±4KV equipment discharge
Electromagnetic H.F. field	EN 61000-4-3	Level 3, A	Level 3, A	Level 3, A	10V/m. from 80MHz to 1 GHz
Fast transients (Burst)	EN 61000-4-4	Level 3, B	Level 3, A	Level 4, A	±4KV power supply, freq. Rep. 2,5kHz ±2KV signal supply, freq. Rep 5kHz
Fast transient (surge discharge)	EN 61000-4-5	Level 3, B	Level 3, A	Special, A	±4KV power supply L1-L2 Generator impedance 2Ω (wave 1,2/50 ms)
Conducted disturbances	EN 61000-4-6	Level 3, A	Level 3, A	Level 3, A	10V supply and signal
Electromagnetic field, industrial frequency	EN 61000-4-8	Level 4, A	-	Level 4, A	Field intensity 30A/m
Voltage dips, interruptions and voltage variations	EN 61000-4-11	Criterion B	-	Criterion A	30% Un - 1000 ms
		Criterion C	-	Criterion A	60% Un - 1000 ms
		Criterion C	-	Criterion B	95% Un - 5000 ms

NOTE: The installation of this device in a domestic environment can cause radiofrequency interference

EN 61000 is equivalent to IEC 61000 - EN 55011 is equivalent to CISPR11

CRITERION A: Normal service behaviour in determined limits

CRITERION B: Transient alteration of the service. The appliance gets back to the normal performing without the intervention of the operator

Test level 3: Typical industrial environment, without special installation measures

Test level 4: Severe industrial environment

Special level: Level of higher electromagnetic severe environment

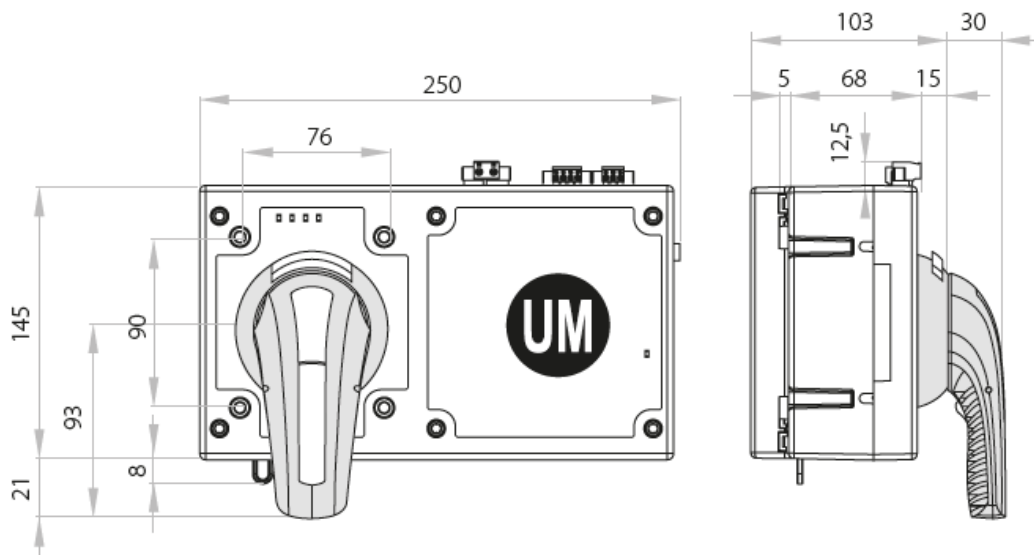
You will find detailed information about our products on our web site www.telergon.com



Motorized Unit Kit
 UM-COA230Z

TELERGON, SAU
 Data subject to change without
 notice (printed: 19/05/2023)

Dimensions (mm)



You will find detailed information about our products on our web site www.telergon.com



Motorized Unit Kit
UM-C0A230Z

TELERGON, SAU
Data subject to change without
notice (printed: 19/05/2023)